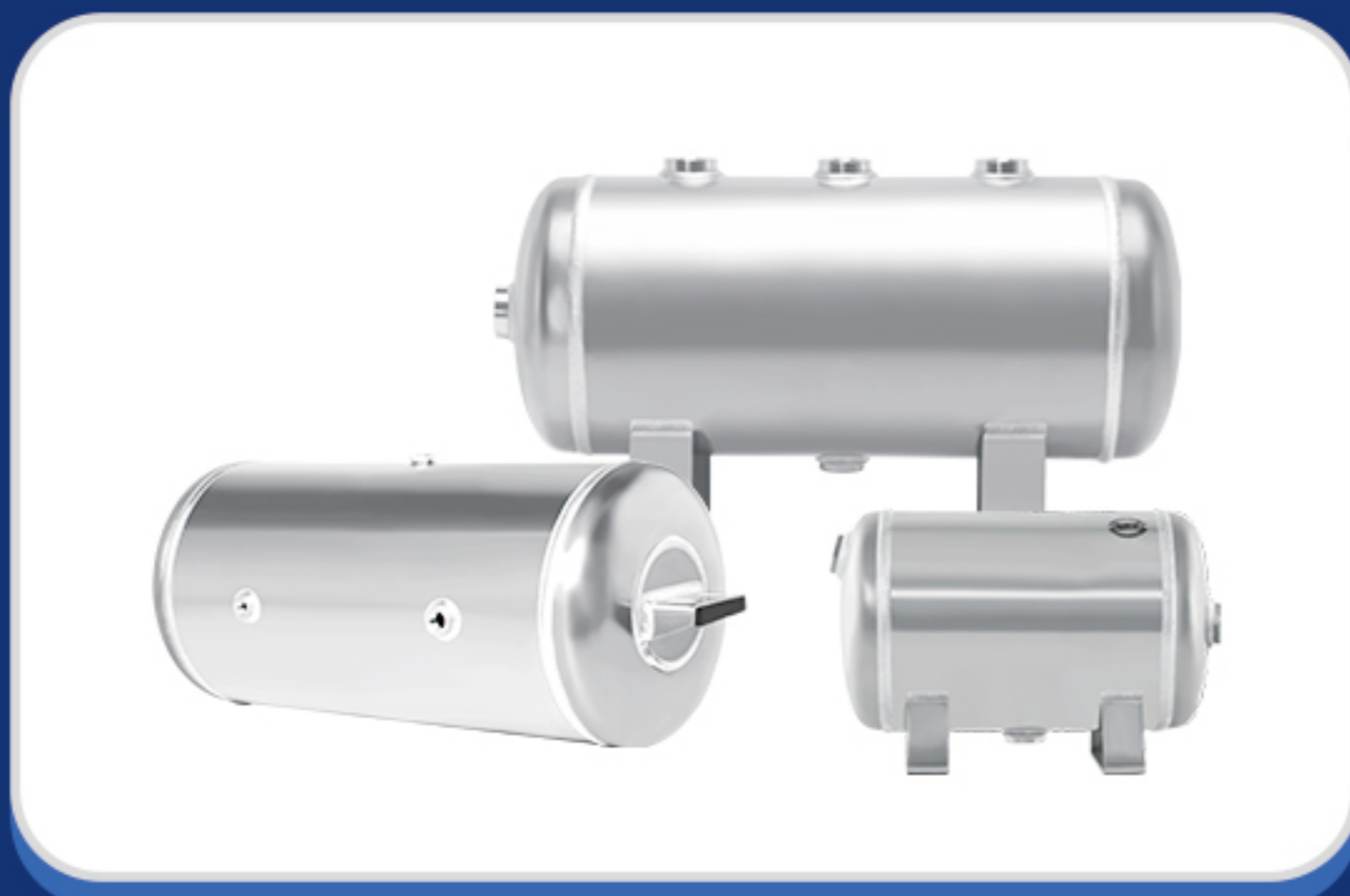


SU FEI TE

USER MANUAL FOR GAS STORAGE TANK PRODUCTS

Provide high-quality products and
services for global automation
equipment enterprises



ONE OVERVIEW OF GAS STORAGE TANKS

Firstly, thank you for choosing the gas storage tank produced by our company, The Youcheng gas storage tank series is the latest international technology introduced by our company, Carefully designed by professionals. Our company is a company with a Special Equipment Design License, Special Equipment Manufacturing License and ASME Certificate are specialized units for pressure vessels. To ensure the reliability of the gas storage tank safe operation and ensuring its longest service life, please make sure to take some time out of your busy schedule to read this manual in detail, easy to use and maintain correctly.

TWO PRODUCT INTRODUCTION OF GAS STORAGE TANKS

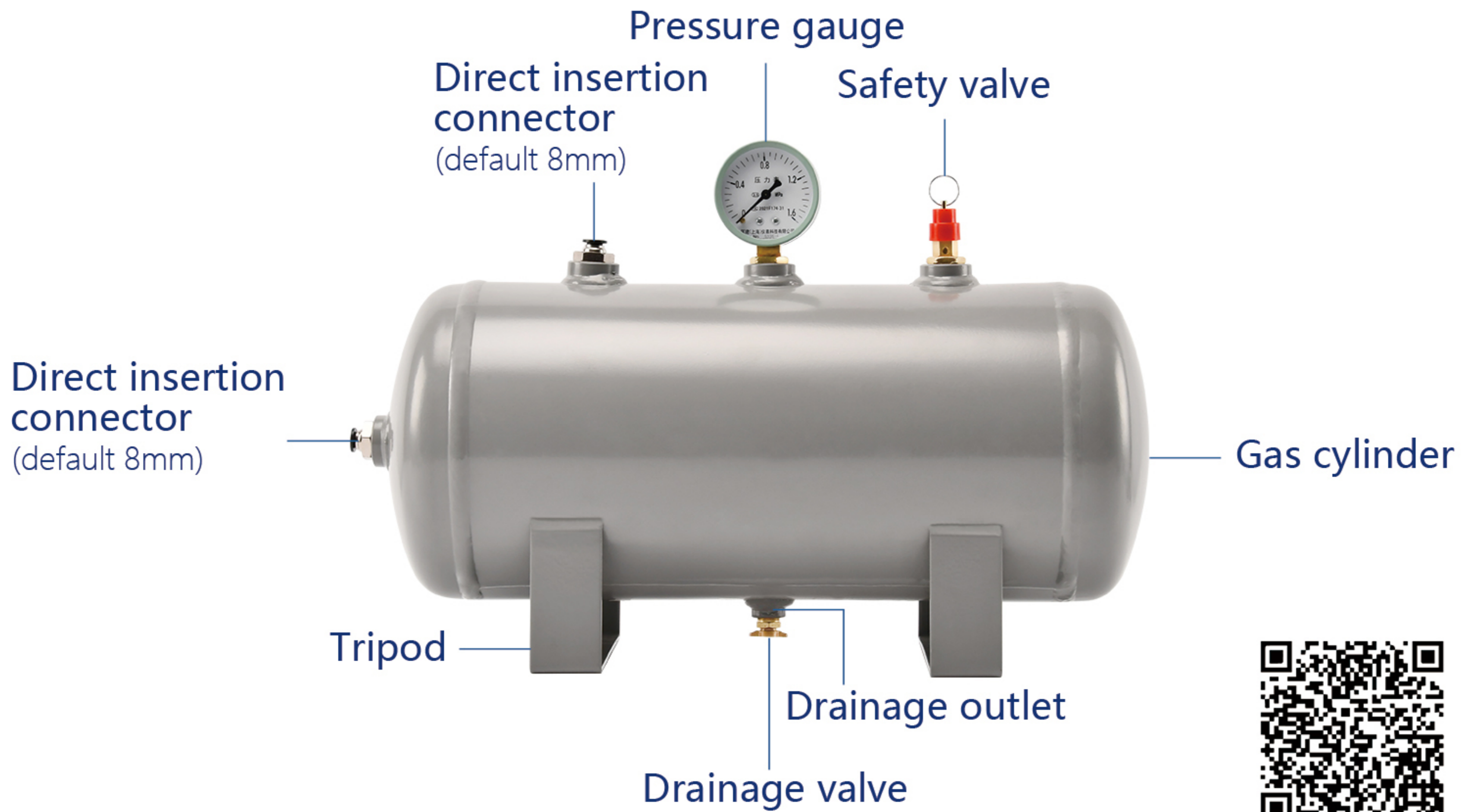
A gas storage tank refers to a device specifically designed to store gas, gas storage tanks are commonly used for storing and transporting gases, according to the different pressures that the gas storage tank can withstand, it can be divided into high-pressure gas storage tanks, low pressure gas storage tank, atmospheric pressure gas storage tank; According to the different metal materials used in the gas storage tank, it can be divided into stainless steel gas storage tanks, carbon steel storage tank, aluminum alloy storage tank. Gas storage tanks belong to pressure vessels, the commonly used materials for the shell include Q235-B, 16MnR, and 16MnDR. According to GB150 "Steel Pressure Vessels", different materials have different usage states and temperature ranges.

THREE APPLICATION OF GAS STORAGE TANK PRODUCTS

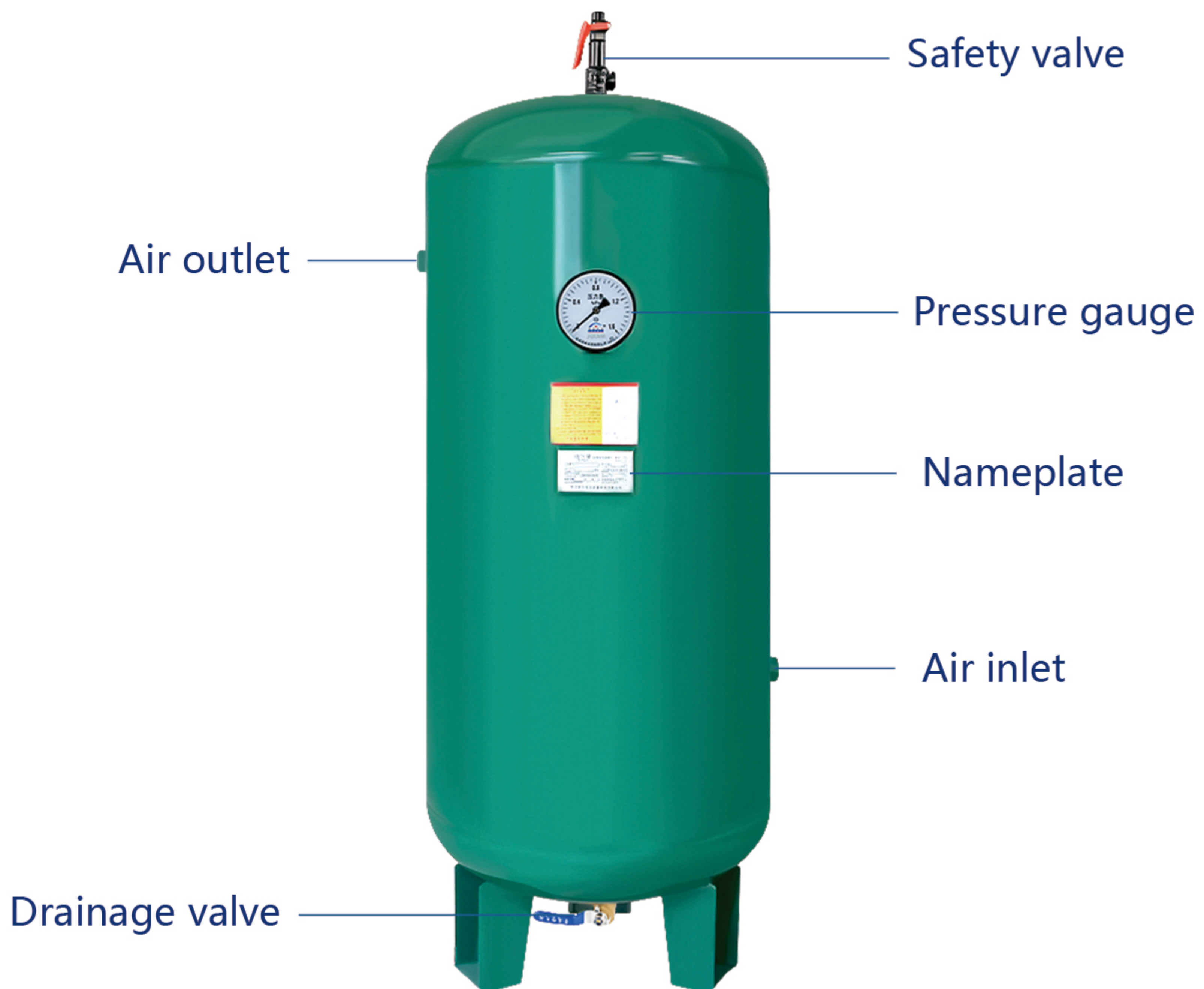
Gas storage tanks play a crucial role in industrial and enterprise applications such as mining, petroleum, chemical, pharmaceutical, textile, construction, boilers, etc. In factories that use compressed air, the air storage tank can ensure a stable output of compressed air, it serves as a buffer and can collect moisture from the cooled air, and exclude it from the system, the function of a gas storage tank is to store compressed air and stabilize the pressure of the gas source. It can eliminate or weaken the periodic airflow pulsation of piston air compressor exhaust, stabilize the pressure in the pipeline, and it can supply the necessary pneumatic program operations to the pipeline shortly after shutdown, at the same time, compressed air also has a preliminary treatment effect of precipitation, water removal, and dirt removal through the air storage tank.

FOUR INSTALLATION DIAGRAM OF GAS STORAGE TANK ACCESSORIES

See the detailed drawing on the next page

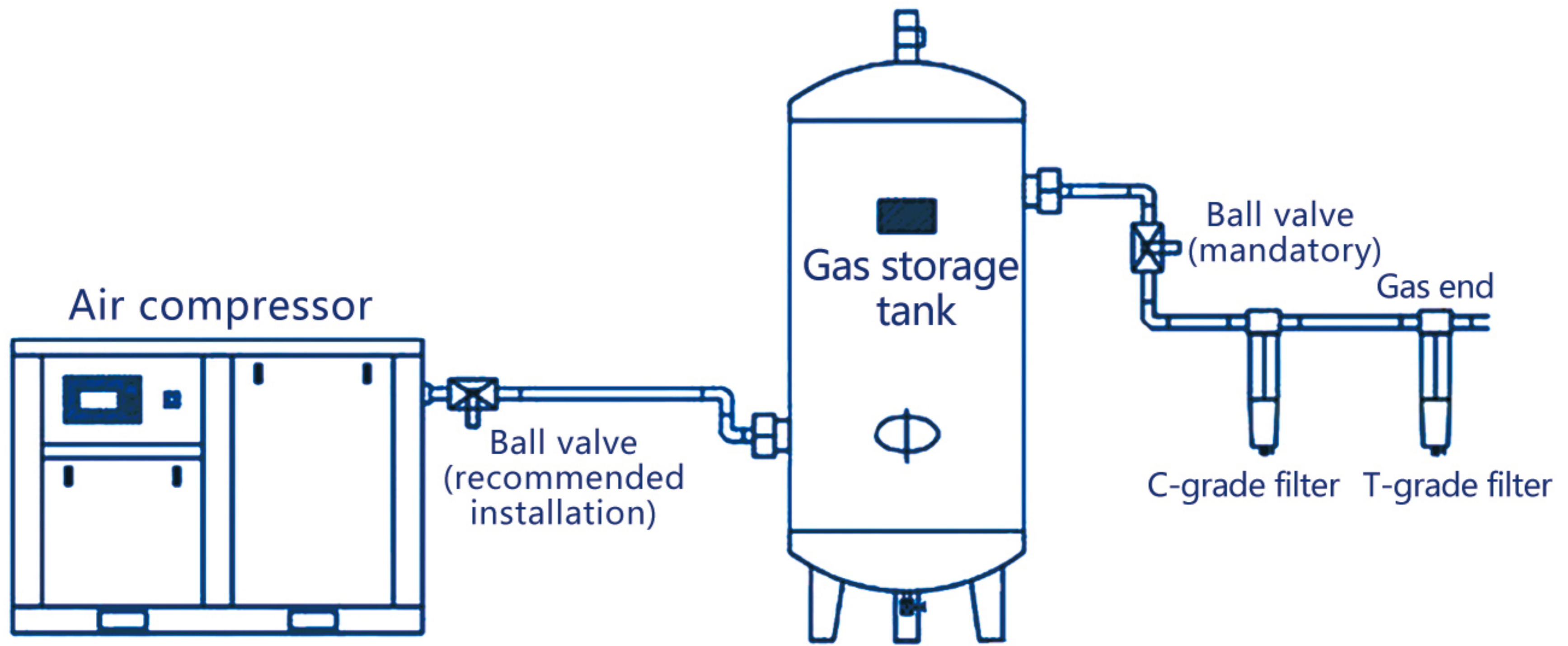


INSTALLATION VIDEO
OF GAS STORAGE TANK



Note: Due to the model of the gas storage tank The specifications are different, as shown in the picture Accessories are for reference only Subject to physical object

FIVE INSTALLATION DIAGRAM OF AIR COMPRESSOR



PRECAUTIONS FOR INSTALLATION OF AIR COMPRESSOR:

1. There should be sufficient space between the equipment of the air compressor system and the wall, and it is recommended to leave at least 1 meter for future maintenance.
2. It is recommended to use a 10 square cable for the power cord of the air compressor.
3. The air compressor, air storage tank, and refrigerated dryer can be placed on a flat surface without the need for a base, and the filter is hung on the pipeline just go up.
4. The inlet and outlet of the gas storage tank are connected in a low inlet and high outlet manner.
5. It is recommended to use 1-inch or 6-inch galvanized pipes for the main pipeline, and PPR pipes are also acceptable.

SIX CARBON STEEL STORAGE TANK DISPLAY



SEVEN

STAINLESS STEEL AND ALUMINUM ALLOY GAS STORAGE TANK DISPLAY



EIGHT

INSTRUCTIONS FOR USING THE GAS STORAGE TANK

1. The working pressure of the gas storage tank shall not exceed the maximum working pressure, the consequences caused by overpressure use are the responsibility of the user.
2. The gas storage tank can be used in conjunction with connecting components such as gas pipe joints, plugs, safety compartments, pressure gauges, and drain valves, And it can only work after debugging security.
3. Registration is required for the use of simple pressure vessels (gas storage tanks); Required during the recommended service life Regular inspections should be conducted, and gas storage that has reached the recommended service life (7-10 years) should be scrapped.
4. The gas storage tank should be placed on a flat working surface, to avoid uneven working surfaces caused by vibrations during use, causing cracks at the welding point between the bracket and the tank, resulting in a safety accident.
5. The shell of the gas storage tank should avoid external impact or additional heavy pressure, and prevent corrosive materials from contacting the shell or working in corrosive environments.
6. The bottom drain valve of the gas storage tank should be opened regularly to drain the accumulated water and prevent internal corrosion.

NINE

MAINTENANCE AND UPKEEP OF GAS STORAGE TANKS

1. Maintenance personnel or operators provide daily gas storage drain the tank at least once.
2. Regularly check the tank body of the pressure vessel and gas storage tank the pressure safety valve on top functioning properly,
3. Observe the intake process, pipelines, and storage tanks check for any leaks in the body until the usage pressure is reached.
4. Check daily for corrosive gases around the gas storage tank body and fluid.
5. Check the sealing of the air pressure pipeline of the gas storage tank. If there is any air leakage, it should be repaired in a timely manner.
6. Check the gas storage tank body for rust every month damaged and promptly repaired. Check the welding seams and sealing rings of the gas storage tank annually for firmness is it aging.
8. Annual calibration of pressure gauges and safety valves for gas storage tanks test.

1. Environmental temperature: The environmental temperature at the installation site of the gas storage tank should be within the operating temperature range of this equipment. If it exceeds this range, measures should be taken measures include insulation or moving indoors with temperature regulation.
2. The equipment must be used within the parameter range of pressure, temperature, medium, etc. specified in the drawings.
3. Collision and knocking are strictly prohibited during the pressurized operation of the gas storage tank. Disassembly and assembly under pressure are not allowed. If disassembly is necessary, it should be done after the machine is stopped and the air pressure is reset to zero conduct.
4. Safety valves and pressure gauges must be calibrated and maintained in accordance with relevant regulations of the national metrology department, and sewage valves must be discharged regularly.
5. Users of simple pressure vessels do not need to register for use and undergo regular inspections according to the company's maintenance system.
6. Due to the working medium of the gas storage tank being water and compressed air, carbon steel gas storage tanks may experience slight corrosion during use due to environmental factors phenomenon (corrosion rate less than 0.05mm/year, recommended service life of 7 years); Stainless steel gas storage tank in clean gas and liquid state Not affected by corrosion, recommended service life of 7 years.
7. Valves shall not be installed between the safety valve and the storage tank.
8. If the maximum intake flow exceeds the safe release capacity of the air storage tank, the user should install a pressure relief device in their system
9. Hard pipes should be used to connect the gas storage tank and the gas source, and buffer bends should be added. If the user has high requirements for the cleanliness of the gas source, a Installing a gas source filter can effectively improve the cleanliness of the gas source.
10. Due to the welding characteristics of production, it is normal for some welding slag medium to exist inside the tank during use, and it does not affect Sound normal function usage; the bottom drain valve of the gas storage tank should be opened regularly to drain the accumulated water and prevent rusting inside the tank.

Telep: 17155215555 / 18915593292
Add: Jiangsu Sufite Machinery Co., Ltd.



WeChat official account