

专业·服务·研发·创新
PROFESSIONAL SERVICE R&D INNOVATION



PRODUCT BROCHURE

VACUUM PUMP | PUMP STATION



总部办公室地址：江苏省昆山市巴城镇红杨路725号浩义泰产业园
Add : Haoyitai Industrial Park, No.725, Hongyang Road, Kunshan, Jiangsu Province
客户专线【Hotline】：0512-88820290
联系人/Attn.：李娜 / Lina (+86 13382516956)
国内网址【 Domestic website】： <http://www.ycchuqiguan.com>
国际官网【 International websites】： <https://www.youchengzhixin.com>



江苏佑诚至信机电设备有限公司
Jiangsu Youcheng Zhixin Electromechanical Equipment Co., Ltd

FOCUSED ON THE
ELECTROMECHANICAL
EQUIPMENT FOR
OVER 20 YEARS

PROVIDING
HIGH-QUALITY
PRODUCTS AND
SERVICES TO
GLOBAL AUTOMATION
EQUIPMENT
ENTERPRISES
UNDER THE NAME OF
YOUCHENGZHIXING

PRODUCT CATALOG

01 ABOUT US

P01-P02

Enterprise Introduction

02 VACUUM PUMP SERIES

P03-P10

Oil Free Vacuum Pump

P11-P16

DC Pump

P17-P20

Single Stage Rotary Vane Vacuum Pump

P21-P24

VSV Single Stage Rotary Vane Vacuum Pump

P25-P28

VRD Two-stage Rotary Vane Vacuum Pump

P29-P30

YRP Roots Vacuum Pump

P31-P32

【DSV】 Dry Screw Vacuum Pump

P33-P34

2BV Water Ring Vacuum Pump

03 VACUUM PUMP SET SERIES

P35-P38

Rotary Vane Vacuum Pump Set

P39-P42

Oil Free Vacuum Pump Unit

04 AUTOMATIC DRAINAGE SYSTEM SERIES

P43-P48

Automatic drainage system

ABOUT US

2013

ESTABLISHED IN 2013 AS
A WELL-KNOWN
DOMESTIC BRAND

10

FOR 10 CONSECUTIVE YEARS IN THE DOMESTIC AND
INTERNATIONAL INDUSTRY, SALES HAVE WON A HIGH REPUTATION
IN THE MARKET



BRAND MISSION

Providing high-quality products
and services to global automation
equipment enterprises under the
name of YOUCHENGZHIXING



BRAND VISION

Creating high-quality brands
creating first-class enterprises



CORE VALUES

Customer priority
People oriented
Excellent quality
High value

QUALITY SEEK SURVIVAL, PRESTIGE DEVELOPMENT

Since its establishment in 2013, YCZX has professional R&D personnel, high-end technical personnel and sales team, which can quickly respond to market demand. In the process of continuous innovation, strictly control product quality and process, give back to customers with high-quality and high-standard products, and serve customers with excellent professional skills.

HONEST SERVICE CUSTOMER FIRST

YCZX company adheres to the service concept of customer first and bases itself on the market with integrity. And also adheres to the customer-oriented business policy. The company constantly strengthens the service awareness of all employees, and provides customers with high-quality, efficient and thoughtful services through skills training and professional assessment for pre-sales, sales and after-sales teams!

OUR STORY

Jiangsu Youcheng Zhixin Electromechanical Equipment Co., Ltd. (referred to as "Youcheng Zhixin") Founded in 2013, it is now located in Kunshan, Jiangsu Province.

It is an enterprise that integrates research and development, design, production, and sales. The main products include: air storage tanks, vacuum pumps, motors, fans, pneumatic components, vacuum system hardware products, electronic materials, etc. The specific application areas mainly include the following: in the power industry, petrochemical industry, food industry, CNC processing, pharmaceutical industry, printing industry, aerospace industry, plastic industry, laboratory medical equipment, etc.

The company has always adhered to the principle of "customer first, people-oriented, quality first, and value first". With high-quality products, good reputation, and high-quality service, the products are best-selling nationwide and exported to 155 countries around the world. Sincerely cooperate with domestic and foreign merchants for win-win cooperation, common development, and create brilliance together!

1000

Under the Group
With 1000 employees

10000

Total area of the base
Over 10000 square meters

155

Our products are exported
to the world more than 155
countries and regions

50

And over 50 countries
established a good business
partnership

OIL FREE VACUUM PUMP

Oil-free vacuum pump is widely praised by customers for its simple structure, operation and maintenance, and no pollution. Vacuum pumps that integrate vacuum and compression functions are widely used in various industries because of their durability.

Oil-free vacuum pump has the characteristics of small size, easy installation and maintenance, to move smoke-free and pollution-free, especially suitable for laboratory work with high requirements.



OIL FREE VACUUM PUMP



VN-18

Voltage	110V/220V	Pumping Speed	15L/min
Power	60W	Pressure	-80Kpa/300Kpa
Weight	0.95Kg	Interface Diameter	Inside the hoseΦ8mm
Installation Dimensions	6-M4/52.8mm		
Dimension	110*110*91mm		
Product Feature	1. It has both vacuum extraction and compressed air functions 2. Small size and light weight 3. Oil free and pollution-free operation		
Uses	Cupping machine/Plate making machine/Drug delivery		



VN-18H

Voltage	220V	Pumping Speed	8L/min
Power	60W	Pressure	-80Kpa/400Kpa
Weight	0.95Kg	Interface Diameter	8mm
Installation Dimensions	6-M4/52.8mm		
Dimension	115*110*82mm		
Product Feature	1. It has both vacuum extraction and compressed air functions 2. Small size and light weight 3. Oil free and pollution-free operation		
Uses	Cupping machine/Plate making machine/Drug delivery		



VN-18-2

Voltage	220V	Pumping Speed	5L/min
Power	13W	Pressure	-55Kpa/350Kpa
Weight	0.85Kg	Interface Diameter	8mm
Installation Dimensions	--		
Dimension	120*115*75mm		
Product Feature	1. It has both vacuum extraction and compressed air functions 2. Small size and light weight 3. Oil free and pollution-free operation		
Uses	Cupping machine/Plate making machine/Drug delivery		



VN-20

Voltage	220V	Pumping Speed	8.5L/min
Power	60W	Pressure	-80Kpa/400Kpa
Weight	1.5Kg	Interface Diameter	Need to be equipped with an outer diameter of 8mm gas pipe
Installation Dimensions	64*53*66mm		
Dimension	120*90*120mm		
Product Feature	1. It has both vacuum extraction and compressed air functions 2. Small size and light weight 3. Oil free and pollution-free operation		
Uses	Cupping machine/Plate making machine/Drug delivery		



VN-26235

Voltage	220V	Pumping Speed	5.5L/min
Power	50W	Pressure	250Kpa
Weight	0.9Kg	Interface Diameter	--
Installation Dimensions	--		
Dimension	114*82*130mm		
Product Feature	1. It has both vacuum extraction and compressed air functions 2. Small size and light weight 3. Oil free and pollution-free operation		
Uses	Cupping machine/Plate making machine/Drug delivery		

OIL FREE VACUUM PUMP



VN-26230

Voltage	220V	Pumping Speed	10L/min
Power	13W	Pressure	-60Kpa/350Kpa
Weight	0.9Kg	Interface Diameter	Inside the hoseΦ8.5mm
Installation Dimensions	--		
Dimension	115*80*115mm		
Product Feature	1、It has both vacuum extraction and compressed air functions 2、Small size and light weight 3、Oil free and pollution-free operation		
Uses	Cupping machine/Plate making machine/Drug delivery		



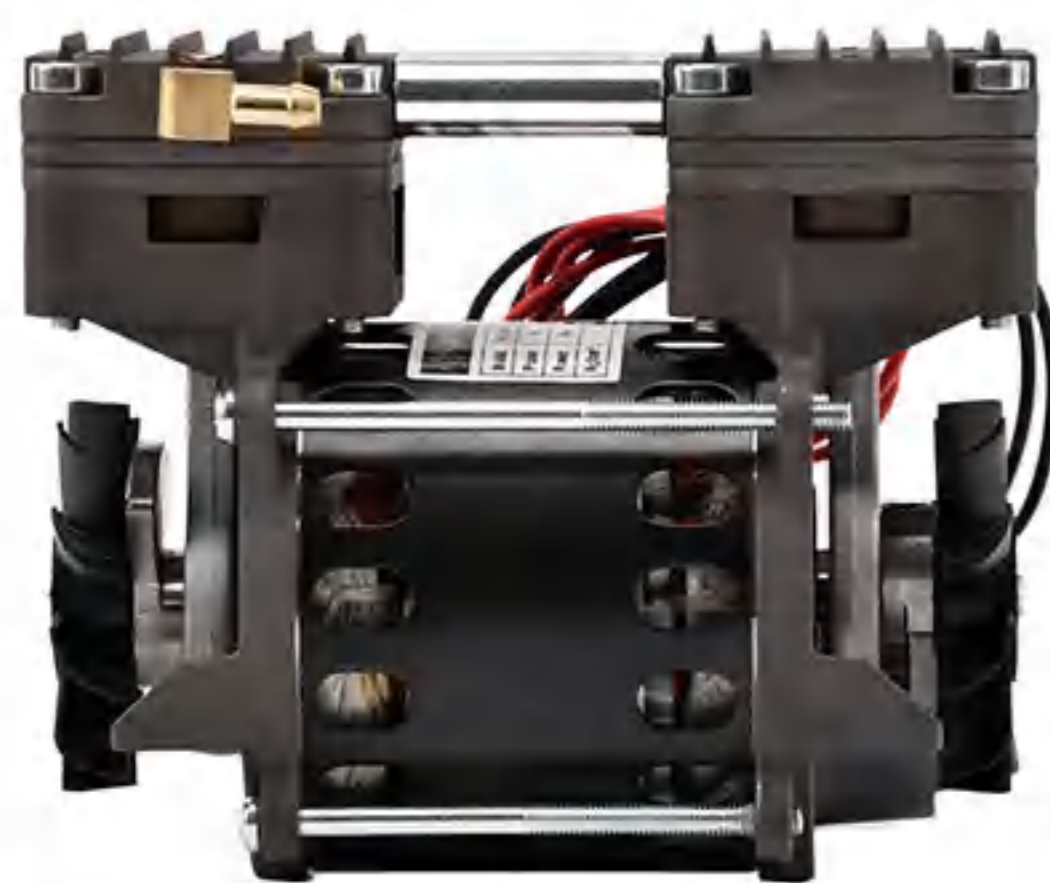
VN-26333

Voltage	220V	Pumping Speed	6L/min
Power	60W	Pressure	250Kpa
Weight	2.5Kg	Interface Diameter	Inside the hoseΦ7.5mm
Installation Dimensions	78*46mm		
Dimension	176*102*128mm		
Product Feature	1、Environmentally friendly, no oil fumes, no oil leakage, no fuel injection 2、Strong pumping speed 3、High temperature setting		
Uses	Food vacuum equipment/packaging equipment/printing machine		



VN-35300

Voltage	220V	Pumping Speed	8L/min
Power	60W	Pressure	-69Kpa/250Kpa
Weight	1.5Kg	Interface Diameter	--
Installation Dimensions	--		
Dimension	123*91*115mm		
Product Feature	1、It has both vacuum extraction and compressed air functions 2、Small size and light weight 3、Oil free and pollution-free operation		
Uses	Cupping machine/Plate making machine/Drug delivery		



VN-30-1

Voltage	220V	Pumping Speed	20L/min
Power	85W	Pressure	-83Kpa
Weight	2.3Kg	Interface Diameter	Inside the hoseΦ8mm
Installation Dimensions	102*73mm		
Dimension	143*88*127mm		
Product Feature	1、Strong vacuum pumping 2、Oil free and pollution-free operation		
Uses	Cupping machine/Plate making machine/Drug delivery		



VN-35

Voltage	220V	Pumping Speed	18L/min
Power	80W	Pressure	-88Kpa
Weight	2.5Kg	Interface Diameter	Inside the hoseΦ8mm
Installation Dimensions	78*46mm		
Dimension	176*102*128mm		
Product Feature	1、It has both vacuum extraction and compressed air functions 2、Small size and light weight 3、Oil free and pollution-free operation		
Uses	Cupping machine/Plate making machine/Drug delivery		

OIL FREE VACUUM PUMP



VN-40

Voltage	220V	Pumping Speed	36L/min
Power	130W	Pressure	-88Kpa
Weight	3.5Kg	Interface Diameter	G1/4
Installation Dimensions	114*70mm		
Dimension	172*98*143mm		
Product Feature	1、Strong vacuum pumping 2、Oil free and pollution-free operation		
Uses	Cupping machine/Plate making machine/Drug delivery		



VN-50

Voltage	220V	Pumping Speed	53L/min
Power	230W	Pressure	-88Kpa
Weight	4.45Kg	Interface Diameter	G1/4
Installation Dimensions	142*96mm		
Dimension	200*110*150mm		
Product Feature	1、It has both vacuum extraction and compressed air functions 2、Small size and light weight 3、Oil free and pollution-free operation		
Uses	Cupping machine/Plate making machine/Drug delivery		



VN-60

Voltage	220V	Pumping Speed	60L/min
Power	260W	Pressure	-91Kpa
Weight	5.5Kg	Interface Diameter	G1/4
Installation Dimensions	127*83mm		
Dimension	253*133*180mm		
Product Feature	1、High flow rate and high vacuum degree/Low noise 2、Overload protection, Low maintenance requirements 3、Oil free and pollution-free operation		
Uses	Semiconductor automation equipment / Freeze-drying		



VN-120V

Voltage	220V	Pumping Speed	100L/min
Power	370W	Pressure	-91Kpa
Weight	8Kg	Interface Diameter	G1/4
Installation Dimensions	203*89mm		
Dimension	255*130*200mm		
Product Feature	1、High flow rate and high vacuum degree/Low noise 2、Overload protection, Low maintenance requirements 3、Oil free and pollution-free operation		
Uses	Semiconductor automation equipment / freeze-drying		



VN-120H

Voltage	220V	Pumping Speed	80L/min
Power	370W	Pressure	-99Kpa
Weight	8Kg	Interface Diameter	G1/4
Installation Dimensions	203*89mm		
Dimension	255*130*200mm		
Product Feature	1、High flow rate and high vacuum degree/Low noise 2、Overload protection, Low maintenance requirements 3、Oil free and pollution-free operation		
Uses	Semiconductor automation equipment / freeze-drying		

OIL FREE VACUUM PUMP



VN-180V

Voltage	220V	Pumping Speed	160L/min
Power	600W	Pressure	-91Kpa
Weight	10Kg	Interface Diameter	G1/4
Installation Dimensions	203*89mm		
Dimension	255*130*215mm		
Product Feature	1、High flow rate and high vacuum degree/Low noise 2、Overload protection, Low maintenance requirements 3、Oil free and pollution-free operation		
Uses	Semiconductor automation equipment / freeze-drying		



VN-180H

Voltage	220V	Pumping Speed	120L/min
Power	600W	Pressure	-99Kpa
Weight	10Kg	Interface Diameter	G1/4
Installation Dimensions	203*89mm		
Dimension	255*130*215mm		
Product Feature	1、High flow rate and high vacuum degree/Low noise 2、Overload protection, Low maintenance requirements 3、Oil free and pollution-free operation		
Uses	Semiconductor automation equipment / freeze-drying		



VN-200H

Voltage	220V	Pumping Speed	150L/min
Power	1000W	Pressure	-99Kpa
Weight	17Kg	Interface Diameter	G1/2
Installation Dimensions	243*127mm		
Dimension	315*156*288mm		
Product Feature	1、High flow rate and high vacuum degree/Low noise 2、Overload protection, Low maintenance requirements 3、Oil free and pollution-free operation		
Uses	CNC / LED detection machines / Dispensing machines		



VN-200V

Voltage	220V	Pumping Speed	200L/min
Power	1000W	Pressure	-91Kpa
Weight	17Kg	Interface Diameter	G1/2
Installation Dimensions	243*127mm		
Dimension	315*156*288mm		
Product Feature	1、High flow rate and high vacuum degree/Low noise 2、Overload protection, Low maintenance requirements 3、Oil free and pollution-free operation		
Uses	CNC / LED detection machines / Dispensing machines		



VN-300V

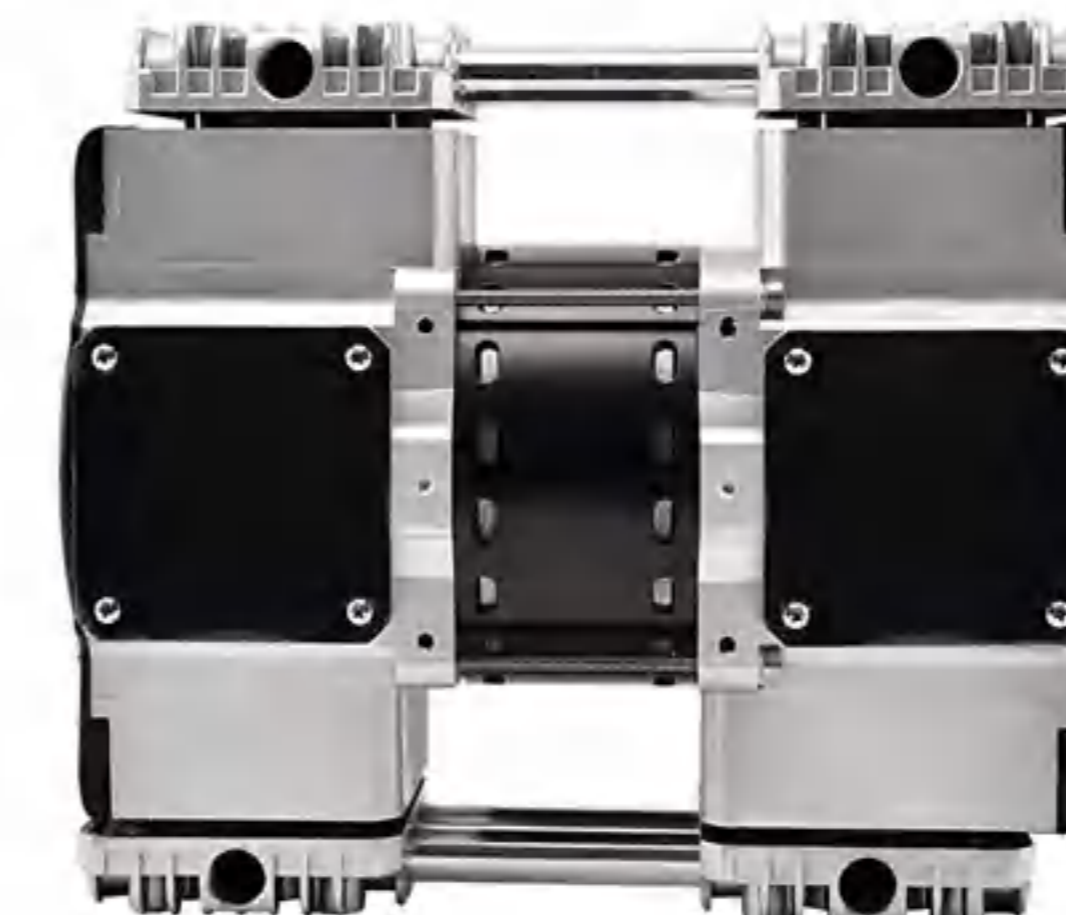
Voltage	110V/220V	Pumping Speed	300L/min
Power	1500W	Pressure	-91Kpa
Weight	17Kg	Interface Diameter	G1/2
Installation Dimensions	243*127mm		
Dimension	315*168*314mm		
Product Feature	1、High flow rate and high vacuum degree/Low noise 2、Overload protection, Low maintenance requirements 3、Oil free and pollution-free operation		
Uses	CNC / LED detection machines / Dispensing machines		

OIL FREE VACUUM PUMP



VN-300H

Voltage	220V	Pumping Speed	200L/min
Power	1500W	Pressure	-99Kpa
Weight	17Kg	Interface Diameter	G1/2
Installation Dimensions	243*127mm		
Dimension	315*168*314mm		
Product Feature	1、High flow rate and high vacuum degree/Low noise 2、Overload protection, Low maintenance requirements 3、Oil free and pollution-free operation		
Uses	CNC / LED detection machines / Dispensing machines		



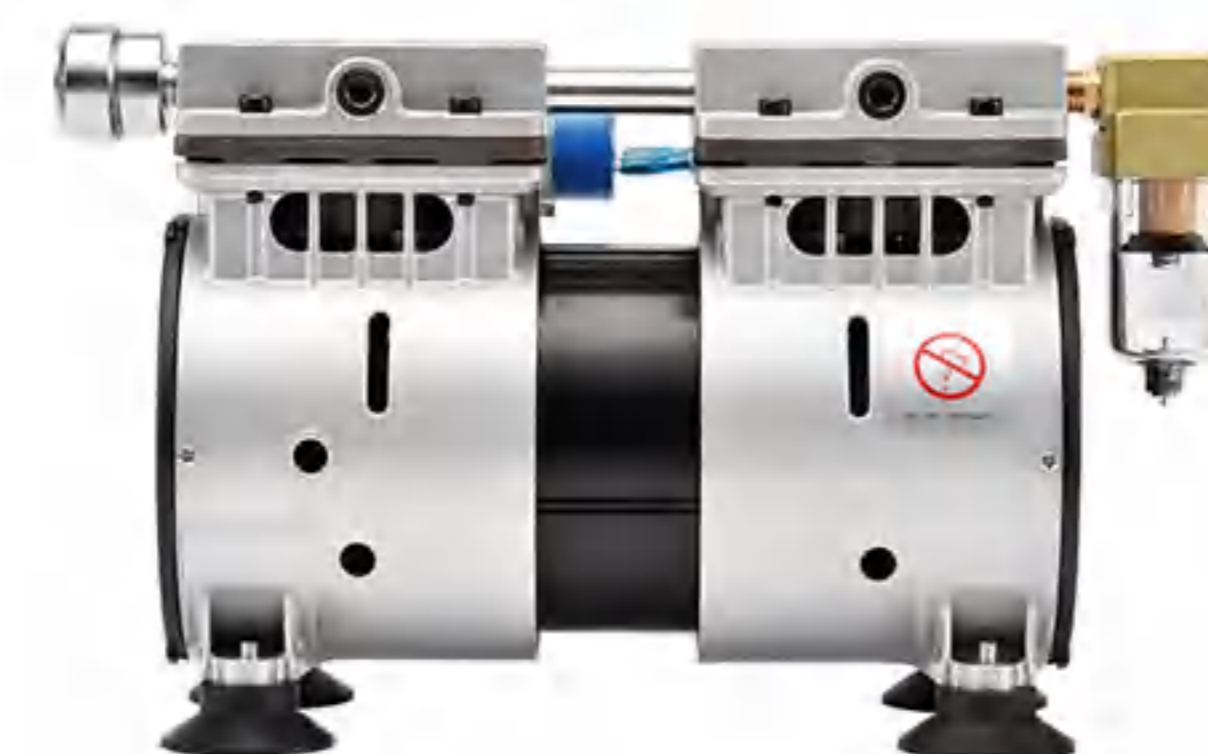
VN-500-1

Voltage	110V/220V	Pumping Speed	480L/min
Power	800W	Pressure	8.3*10 ³ Kpa
Weight	19.5Kg	Interface Diameter	G1/2
Noise	≤68DB		
Dimension	394*158*294mm		
Product Feature	1、High flow rate and high vacuum degree/Low noise 2、Overload protection, Low maintenance requirements 3、Oil free and pollution-free operation		
Uses	CNC / LED detection machines / Dispensing machines		



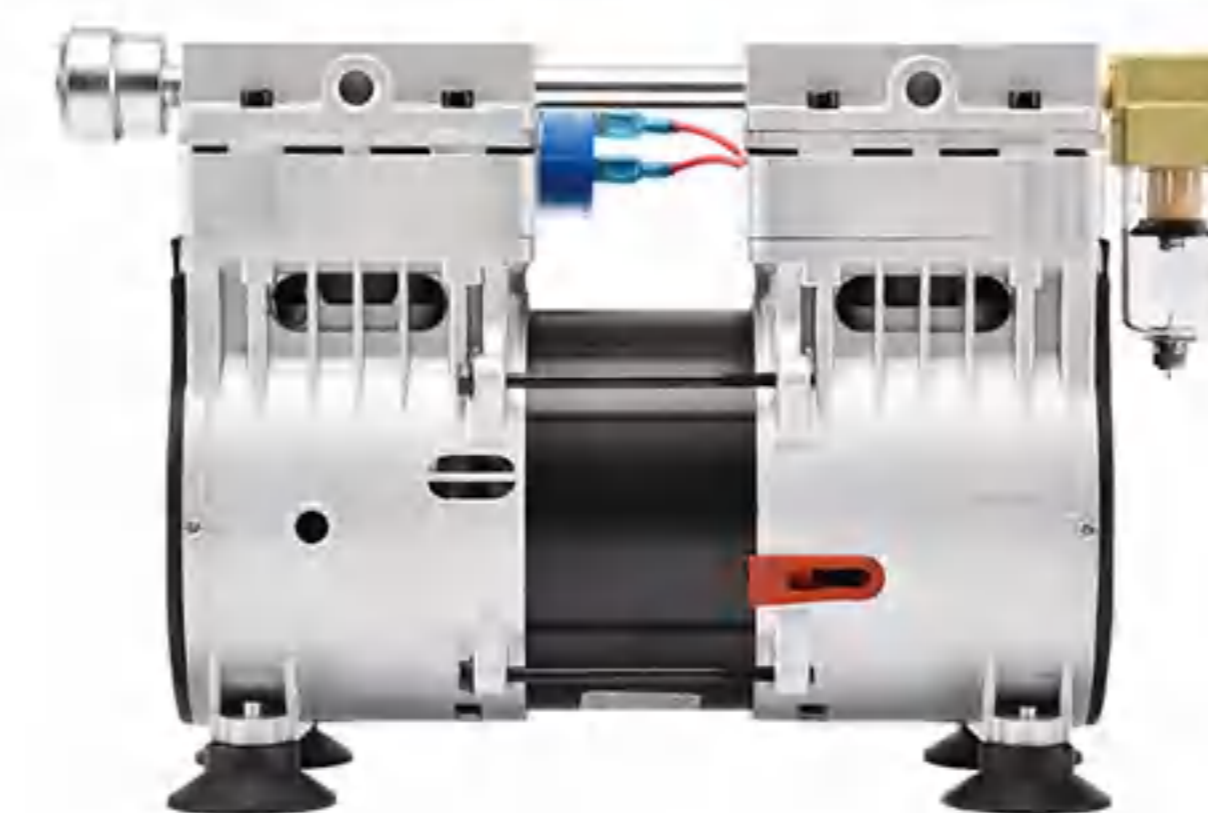
UV-60V

Voltage	220V	Pumping Speed	60L/min
Power	270W	Pressure	-88Kpa/250Kpa
Weight	5.05Kg	Interface Diameter	M8
Installation Dimensions	127*83mm		
Dimension	200*150*95mm		
Product Feature	1、High flow rate and high vacuum degree/Low noise 2、Overload protection, Low maintenance requirements 3、Oil free and pollution-free operation		
Uses	Fully automatic film laminating machine/dental medical table etc		



UV-120V

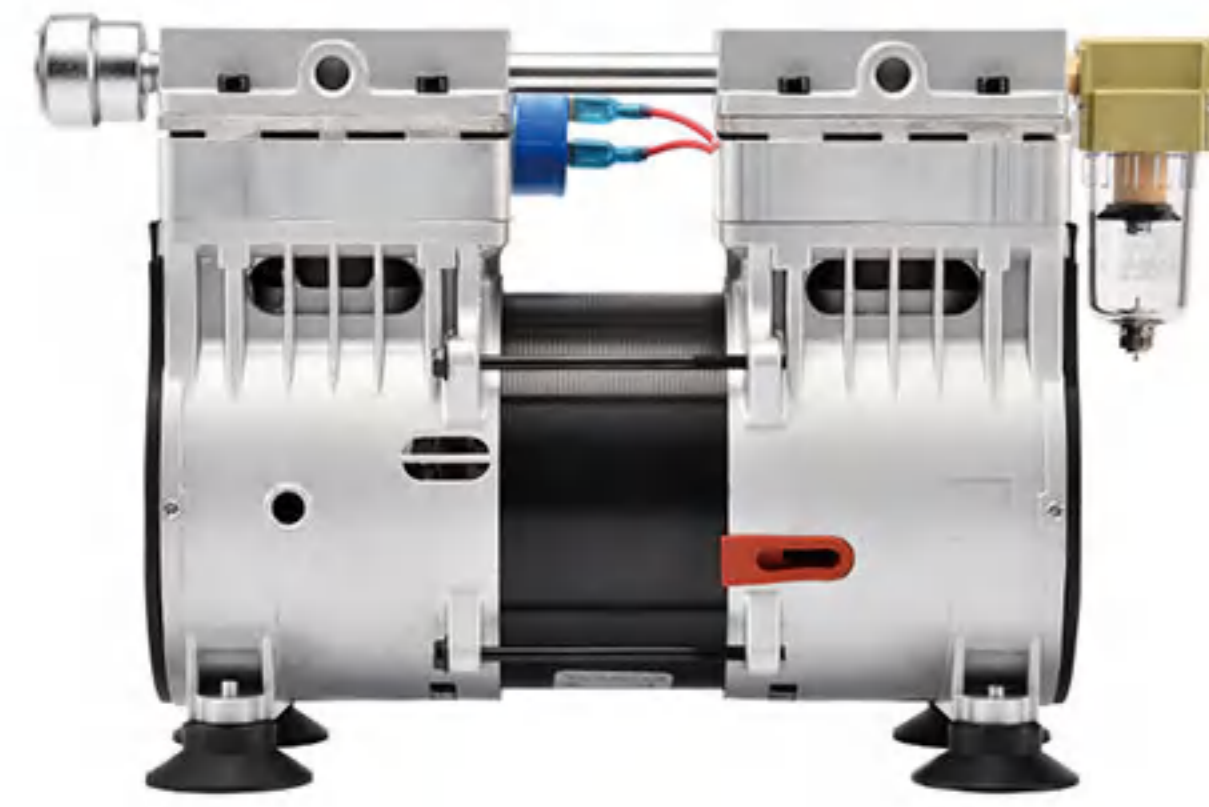
Voltage	220V	Pumping Speed	100L/min
Power	370W	Pressure	-91Kpa
Weight	8Kg	Interface Diameter	G1/4
Installation Dimensions	203*89mm		
Dimension	250*130*180mm		
Product Feature	1、High flow rate and high vacuum degree/Low noise 2、Overload protection, Low maintenance requirements 3、Oil free and pollution-free operation		
Uses	Fully automatic film laminating machine/dental medical table etc		



UV-180V

Voltage	220V	Pumping Speed	160L/min
Power	600W	Pressure	-91Kpa
Weight	10.5Kg	Interface Diameter	G1/4
Installation Dimensions	223*89mm		
Dimension	270*130*203mm		
Product Feature	1、High flow rate and high vacuum degree/Low noise 2、Overload protection, Low maintenance requirements 3、Oil free and pollution-free operation		
Uses	Semiconductor automation equipment / freeze-drying		

OIL FREE VACUUM PUMP



UV-180H

Voltage	220V	Pumping Speed	120L/min
Power	600W	Pressure	-99Kpa
Weight	10.5Kg	Interface Diameter	G1/4
Installation Dimensions	223*89mm		
Dimension	270*130*203mm		
Product Feature	1、High flow rate and high vacuum degree/Low noise 2、Overload protection, Low maintenance requirements 3、Oil free and pollution-free operation		
Uses	Semiconductor automation equipment/ freeze-drying		



YP-10L

Voltage	220V	Flow	10L/min
Power	8W	Pressure	-80Kpa
Weight	2.85Kg	Interface Diameter	G1/4
Noise	≤58Db	Dimension	240*120*150mm
Product Feature	1、Low noise Compact and portable 2、No oil or pollution 3、Endurance of 24 hours without stopping		
Uses	Used for online gas sampling and fast filtering Solution / Vacuum pumping/gas circulation/suction/etc/ for sealed containers		



YP-15L

Voltage	220V	Flow	15L/min
Power	10W	Pressure	-80Kpa
Weight	2.85Kg	Interface Diameter	G1/4
Noise	≤58Db	Dimension	240*120*150mm
Product Feature	1、Low noise Compact and portable 2、No oil or pollution 3、Endurance of 24 hours without stopping		
Uses	Used for online gas sampling and fast filtering Solution / Vacuum pumping/gas circulation/suction/etc/ for sealed containers		

OIL FREE VACUUM PUMP

The vacuum pump of Youcheng Zhixin brand adopts international advanced design concepts and manufacturing technology, with smooth and beautiful appearance, compact and firm structure, high universality, and simple operability, making it a rare instrument for scientific research experiments.

This oil-free vacuum pump can be used in combination with a filter bottle kit for mobile phase filtration and degassing in liquid chromatography analysis. Vacuum pumps can improve filtration efficiency and enhance degassing efficiency.



DC PUMP

This series of DC pumps is oil-free power equipment. With its small size and light weight, it is also called Mini DC vacuum pump.

Widely used in: scientific research, air sampling, chemical analysis, healthcare, bioengineering, packaging equipment, papermaking and many other fields. It has the characteristics of oil-free lubrication, safety and environmental protection, simple maintenance, compact design, high performance, small size, low noise and good air tightness. Its function is simply to use the DC motor as power to pump out the air in the container, and then transport it to a container or directly discharge it to the atmosphere.



DC PUMP



VN-C1

Rated Voltage	12V/24V	Product Traffic	15L/min
Power	10W	Pressure	-80Kpa
Weight	300g	Noise	≤65Db
Dimension	93*71*40mm	Installation Dimensions	49*28mm
Product Feature	1. Environmentally friendly, no oil fumes, no oil leakage, no fuel injection 2. Strong pumping speed 3. High temperature setting [Pour: Need to be equipped with an outer diameter of 8mm gas pipe]		
Uses	Food vacuum equipment/packaging equipment/printing machines/etc		



VN-C1 – Brushless

Rated Voltage	12V/24V	Product Traffic	15L/min
Power	10W	Pressure	-80Kpa
Weight	350g	Noise	--
Dimension	91*69*40mm	Installation Dimensions	49*28mm
Product Feature	1. Environmentally friendly, no oil fumes, no oil leakage, no fuel injection 2. Strong pumping speed 3. High temperature setting [Pour: Need to be equipped with an outer diameter of 8mm gas pipe]		
Uses	Food vacuum equipment/packaging equipment/printing machines/etc		



VN-C2

Rated Voltage	12V/24V	Product Traffic	12L/min
Power	8W	Pressure	-72Kpa
Weight	300g	Noise	≤65Db
Dimension	93*71*40mm	Installation Dimensions	49*28mm
Product Feature	1. Environmentally friendly, no oil fumes, no oil leakage, no fuel injection 2. Strong pumping speed 3. High temperature setting [Pour: Need to be equipped with an outer diameter of 8mm gas pipe]		
Uses	Food vacuum equipment/packaging equipment/printing machines/etc		



VN-C3–With Mounting Plate

Rated Voltage	12V/24V	Product Traffic	12L/min
Power	12W	Pressure	-80Kpa
Weight	300g	Noise	≤65Db
Dimension	103*72*40mm	Installation Dimensions	43*52mm
Product Feature	1. Environmentally friendly, no oil fumes, no oil leakage, no fuel injection 2. Strong pumping speed 3. High temperature setting [Pour: Need to be equipped with an outer diameter of 8mm gas pipe]		
Uses	Food vacuum equipment/packaging equipment/printing machines/etc		



VN-C4

Rated Voltage	12V/24V	Product Traffic	40L/min
Power	42W	Pressure	-85Kpa
Weight	450g	Noise	≤75Db
Dimension	110*89*44mm	Installation Dimensions	20mm
Product Feature	1. Environmentally friendly, no oil fumes, no oil leakage, no fuel injection 2. Strong pumping speed 3. High temperature setting [Pour: Need to be equipped with an outer diameter of 10mm gas pipe]		
Uses	Food vacuum equipment/packaging equipment/printing machines/etc		

DC PUMP



VN-C4- Brushless

Rated Voltage	12V/24V	Product Traffic	40L/min
Power	42W	Pressure	-85Kpa
Weight	650g	Noise	≤75Db
Dimension	22mm	Installation Dimensions	110*89*44mm
Product Feature	1、 Environmentally friendly, no oil fumes, no oil leakage, no fuel injection 2、 Strong pumping speed 3、 High temperature setting 【Pour: Need to be equipped with an outer diameter of 10mm gas pipe】		
Uses	Food vacuum equipment/packaging equipment/printing machines/etc		



VN-C6

Rated Voltage	12V/24V	Product Traffic	7L/min
Power	5W	Pressure	-70Kpa
Weight	300g	Noise	≤65Db
Dimension	93*71*40mm	Installation Dimensions	47*28mm
Product Feature	1、 Environmentally friendly, no oil fumes, no oil leakage, no fuel injection 2、 Strong pumping speed 3、 High temperature setting 【Pour: Need to be equipped with an outer diameter of 8mm gas pipe】		
Uses	Food vacuum equipment/packaging equipment/printing machines/etc		



VN-T1-White Style

Rated Voltage	12V	Product Traffic	12L/min
Power	10W	Pressure	-83Kpa
Weight	500g	Noise	≤65Db
Dimension	103*66*40mm	Installation Dimensions	43*52mm
Product Feature	1、 Environmentally friendly, no oil fumes, no oil leakage, no fuel injection 2、 Strong pumping speed 3、 High temperature setting 【Pour: Need to be equipped with an outer diameter of 8mm gas pipe】		
Uses	Food vacuum equipment/packaging equipment/printing machines/etc		



VN-T1

Rated Voltage	12V/24V	Product Traffic	10L/min
Power	10W	Pressure	-81Kpa
Weight	500g	Noise	--
Dimension	103*66*40mm	Installation Dimensions	43*52mm
Product Feature	1、 Environmentally friendly, no oil fumes, no oil leakage, no fuel injection 2、 Strong pumping speed 3、 High temperature setting 【Pour: Need to be equipped with an outer diameter of 8mm gas pipe】		
Uses	Food vacuum equipment/packaging equipment/printing machines/etc		



VN-37050

Rated Voltage	12V	Product Traffic	≥3.5L/min
Current	≤1.3A	Pressure	-70Kpa
Weight	260g	Noise	--
Dimension	87*80*30mm	Installation Dimensions	--
Product Feature	1、 Environmentally friendly, no oil fumes, no oil leakage, no fuel injection 2、 Strong pumping speed 3、 High temperature setting 【Pour: Need to be equipped with an outer diameter of 10mm gas pipe】		
Uses	Food vacuum equipment/packaging equipment/printing machines/etc		

DC PUMP



VN-45060

Rated Voltage	12V	Product Traffic	≥25L/min
Current	≤3.2A	Pressure	-80Kpa
Weight	510g	Noise	--
Dimension	122*100*48mm	Installation Dimensions	--
Product Feature	1、 Environmentally friendly, no oil fumes, no oil leakage, no fuel injection 2、 Strong pumping speed 3、 High temperature setting 【Pour: Need to be equipped with an outer diameter of 12mm gas pipe】		
Uses	Food vacuum equipment/packaging equipment/printing machines/etc		



VN-45050

Rated Voltage	12V	Product Traffic	5L/min
Power	5W	Pressure	-70Kpa
Weight	--	Noise	--
Dimension	93*80*36.5mm	Installation Dimensions	--
Product Feature	1、 Environmentally friendly, no oil fumes, no oil leakage, no fuel injection 2、 Strong pumping speed 3、 High temperature setting 【Pour: Need to be equipped with an outer diameter of 8.3mm gas pipe】		
Uses	Food vacuum equipment/packaging equipment/printing machines/etc		



UV-U1 [Black]

Rated Voltage	12V	Product Traffic	10L/min
Power	12W	Pressure	-65Kpa/150Kpa
Weight	600g	Noise	≤55Db
Dimension	106*84*51mm	Interface outer diameter	8mm
Product Feature	1、 Environmentally friendly, no oil fumes, no oil leakage, no fuel injection 2、 Strong pumping speed 3、 High temperature setting 【Pour: Need to be equipped with an outer diameter of 10mm gas pipe】		
Uses	Food vacuum equipment/packaging equipment/printing machines/etc		



UV-U1

Rated Voltage	12V/24V	Product Traffic	10L/min
Power	12W	Pressure	-65Kpa/150Kpa
Weight	550g	Noise	≤55Db
Dimension	106*84*51mm	Installation Dimensions	34*24mm
Product Feature	1、 Environmentally friendly, no oil fumes, no oil leakage, no fuel injection 2、 Strong pumping speed 3、 High temperature setting 【Pour: Need to be equipped with an outer diameter of 10mm gas pipe】		
Uses	Food vacuum equipment/packaging equipment/printing machines/etc		



UV-U1-220V

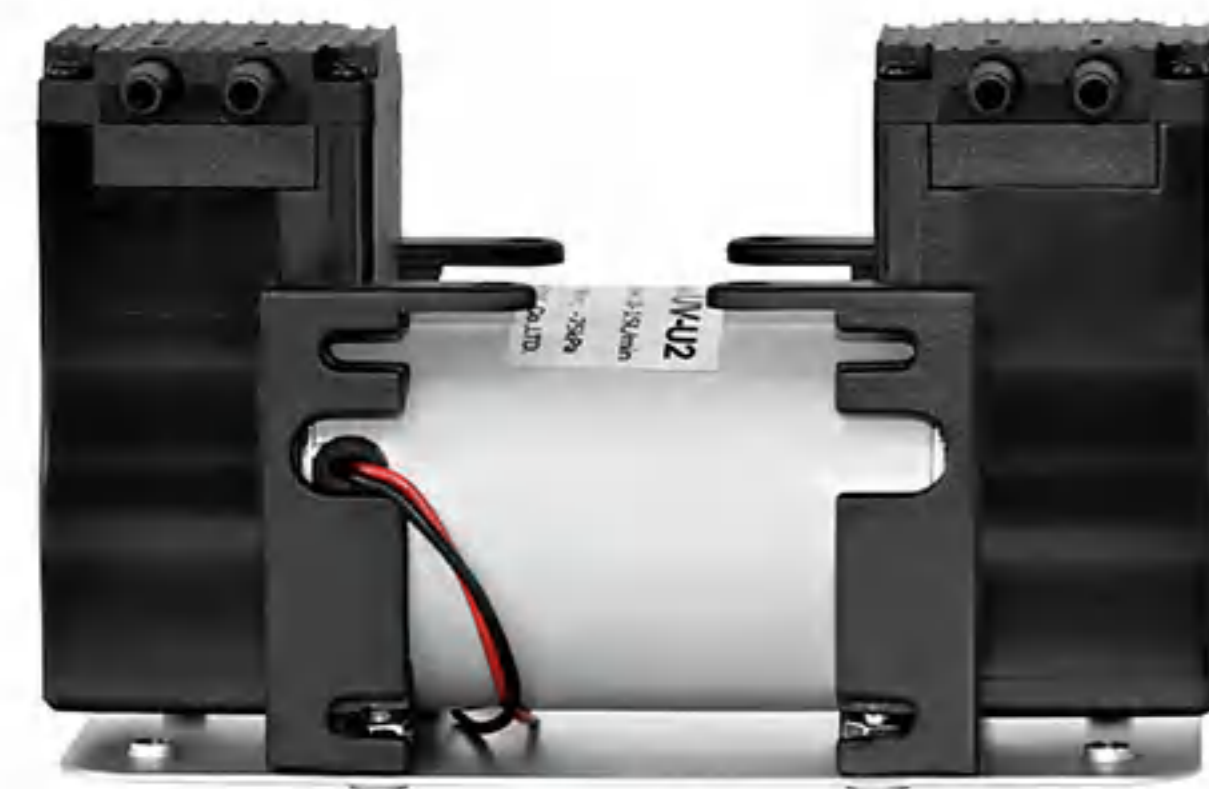
Rated Voltage	220V	Product Traffic	10L/min
Power	12W	Pressure	-65Kpa/150Kpa
Weight	650g	Noise	≤55Db
Dimension	114*84*51mm	Installation Dimensions	34*24mm
Product Feature	1、 Environmentally friendly, no oil fumes, no oil leakage, no fuel injection 2、 Strong pumping speed 3、 High temperature setting 【Pour: Need to be equipped with an outer diameter of 10mm gas pipe】		
Uses	Food vacuum equipment/packaging equipment/printing machines/etc		

DC PUMP



UV-U2[Single-head]

Rated Voltage	12V/24V/220V	Product Traffic	10L/min
Power	13W	Pressure	-65Kpa/150Kpa
Weight	550g	Noise	≤55Db
Dimension	85*58*99mm	Installation Dimensions	--
Product Feature	1、Environmentally friendly, no oil fumes, no oil leakage, no fuel injection 2、Strong pumping speed 3、High temperature setting 【Pour: Need to be equipped with an outer diameter of 8mm gas pipe】		
Uses	Food vacuum equipment/packaging equipment/printing machines/etc		



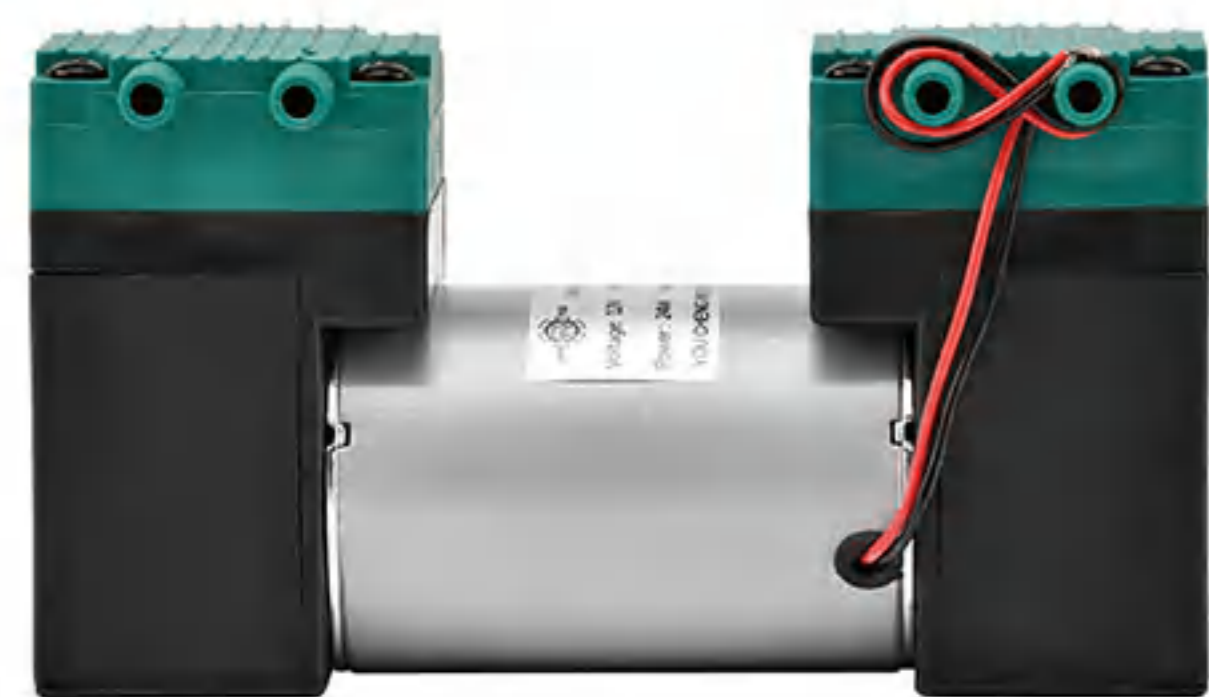
UV-U2

Rated Voltage	12V/24V	Product Traffic	10-15L/min
Power	24W	Pressure	-85Kpa/350Kpa
Weight	900g	Noise	≤55Db
Dimension	138*86*58mm	Installation Dimensions	112*34mm
Product Feature	1、Environmentally friendly, no oil fumes, no oil leakage, no fuel injection 2、Strong pumping speed 3、High temperature setting 【Pour: Need to be equipped with an outer diameter of 8mm gas pipe】		
Uses	Food vacuum equipment/packaging equipment/printing machines/etc		



UV-U2-220V

Rated Voltage	220V	Product Traffic	10-15L/min
Power	24W	Pressure	-85Kpa/350Kpa
Weight	900g	Noise	≤55Db
Dimension	138*86*58mm	Installation Dimensions	112*34mm
Product Feature	1、Environmentally friendly, no oil fumes, no oil leakage, no fuel injection 2、Strong pumping speed 3、High temperature setting 【Pour: Need to be equipped with an outer diameter of 8mm gas pipe】		
Uses	Food vacuum equipment/packaging equipment/printing machines/etc		



UV-U3

Rated Voltage	12V/24V	Product Traffic	10-20L/min
Power	24W	Pressure	-90Kpa/350Kpa
Weight	850g	Noise	≤55Db
Dimension	151*84*51mm	Installation Dimensions	138*34mm
Product Feature	1、Environmentally friendly, no oil fumes, no oil leakage, no fuel injection 2、Strong pumping speed 3、High temperature setting 【Pour: Need to be equipped with an outer diameter of 10mm gas pipe】		
Uses	Food vacuum equipment/packaging equipment/printing machines/etc		



UV-U3-220V

Rated Voltage	220V	Product Traffic	10-20L/min
Power	24W	Pressure	-90Kpa/350Kpa
Weight	900g	Noise	≤55Db
Dimension	151*84*51mm	Installation Dimensions	138*34mm
Product Feature	1、Environmentally friendly, no oil fumes, no oil leakage, no fuel injection 2、Strong pumping speed 3、High temperature setting 【Pour: Need to be equipped with an outer diameter of 10mm gas pipe】		
Uses	Food vacuum equipment/packaging equipment/printing machines/etc		

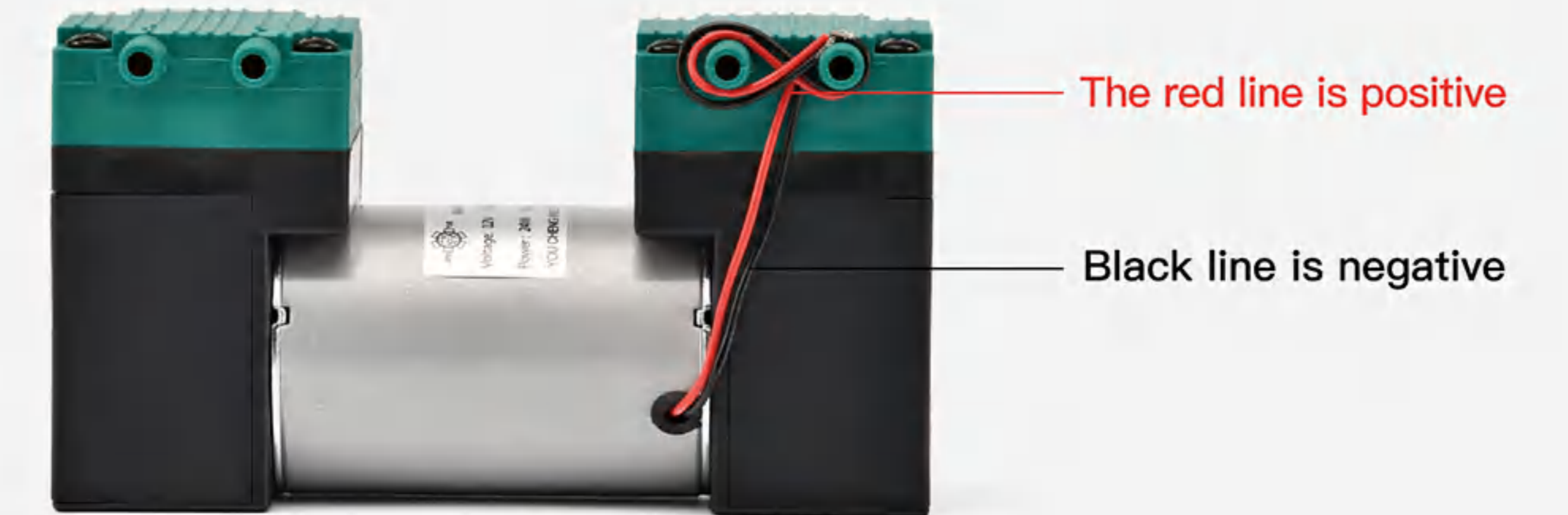
DC PUMP

Instructions for use of single head pump

- 1、The red dot represents the positive electrode, and the corresponding other side represents the negative electrode.
- 2、Select the corresponding voltage you took and prepare the corresponding switching power supply.
- 3、Connect the inlet and outlet with the corresponding air pipe.
- 4、When using the product, pay attention to the input power supply to ensure constant voltage and current.
- 5、The medium of the micro vacuum pump is gas, and solids and liquids cannot enter the pump.



Double head pump [3 installation methods]



1 Parallel installation with high flow rate



2 High vacuum installation in series (negative pressure)



3 Single head installation (Two pump heads installed separately)

OIL FREE VACUUM PUMP

VN rotary vane pump vacuum pump is a single-stage type coupling structure, which has the advantages of high speed, low noise, fast pumping speed and high efficiency. The VN rotary vane vacuum pump only needs air cooling.

First of all, its anti-back-back design structure can effectively prevent the pump oil from returning to the container. Secondly, the pump is equipped with an exhaust filter, which effectively eliminates the oil mist and ensures its smooth operation. Finally, the pump can operate at any pressure.

This series of vacuum pumps have been widely used in food vacuum packaging, medical and pharmaceutical, printing machinery, paper conveying, glass industry, and other fields.



OIL FREE VACUUM PUMP

VN-0020

Speed	2800r/min	Pumping Speed	20m ³ /h
Voltage	220V/380V	Refueling Quantity	0.5L
Limiting Pressure	-100Kpa	Power	900W/750W
Piping Interface	G1/2	Dimension	45*25*29cm
Product Feature	1、Environmentally friendly and smokeless 2、With strong pumping speed 3、High-temperature shaping、No oil leakage、and Fuel injection		
Usage:	CNC processing centers/Food vacuum equipment/Packaging equipment/Wood processing/etc		



VN-0025

Speed	2800r/min	Pumping Speed	25m ³ /h
Voltage	220V/380V	Refueling Quantity	0.5L
Limiting Pressure	-100Kpa	Power	750W
Piping Interface	G3/4	Dimension	31*25*22cm
Product Feature	1、Environmentally friendly and smokeless 2、With strong pumping speed 3、High-temperature shaping、No oil leakage、and Fuel injection		
Usage:	CNC processing centers/Food vacuum equipment/Packaging equipment/Wood processing/etc		



VN-0040

Speed	1440r/min	Pumping Speed	40m ³ /h
Voltage	380V	Refueling Quantity	1.5L
Limiting Pressure	-100Kpa	Power	1500W
Piping Interface	G1-1/4	Dimension	64*28*26.5cm
Product Feature	1、Environmentally friendly and smokeless 2、With strong pumping speed 3、High-temperature shaping、No oil leakage、and Fuel injection		
Usage:	CNC processing centers/Food vacuum equipment/Packaging equipment/Wood processing/etc		



VN-0063-A

Speed	1440r/min	Pumping Speed	63m ³ /h
Voltage	380V	Refueling Quantity	1.5L
Limiting Pressure	-100Kpa	Power	1500W
Piping Interface	G1-1/4	Dimension	64*27*40cm
Product Feature	1、Environmentally friendly and smokeless 2、With strong pumping speed 3、High-temperature shaping、No oil leakage、and Fuel injection		
Usage:	CNC processing centers/Food vacuum equipment/Packaging equipment/Wood processing/etc		



SINGLE STAGE ROTARY VANE VACUUM PUMP



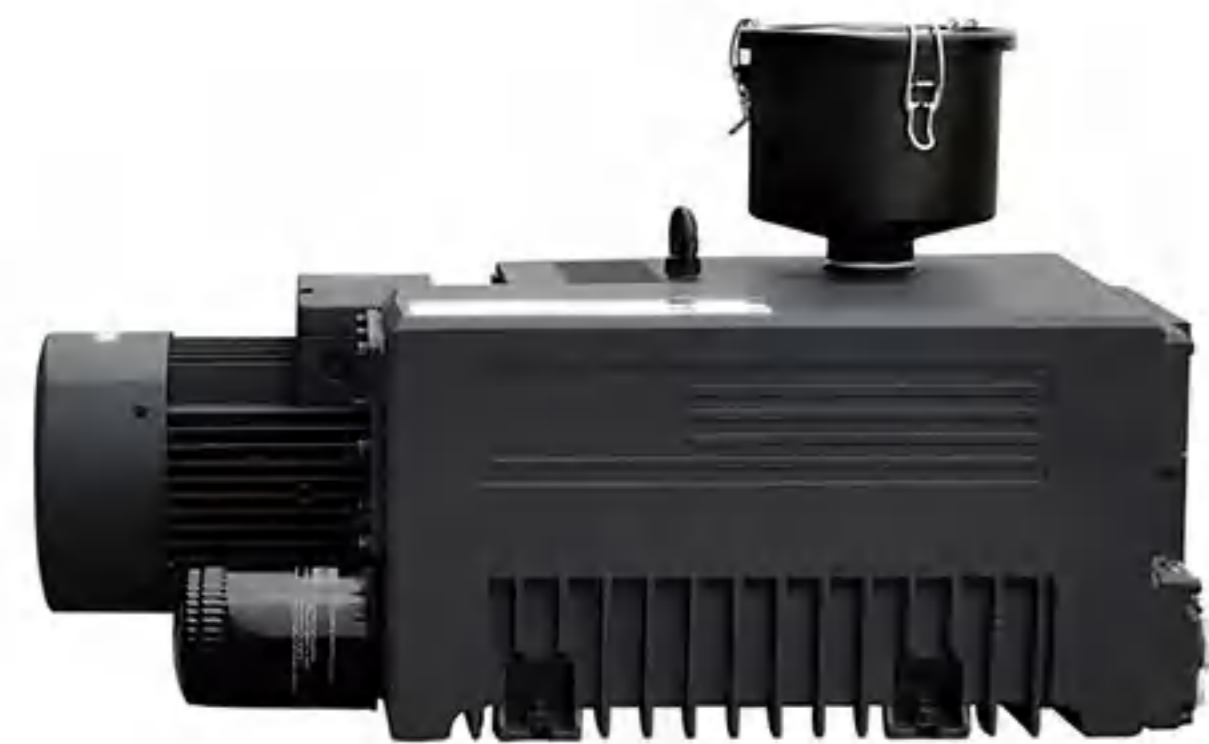
VN-0063-B

Speed	1440r/min	Pumping Speed	70m ³ /h
Voltage	380V	Refueling Quantity	2.5L
Limiting Pressure	-100Kpa	Power	2200W
Piping Interface	G1-1/4	Dimension	64*40*40cm
Product Feature	1、Environmentally friendly and smokeless 2、With strong pumping speed 3、High-temperature shaping、No oil leakage、and Fuel injection		
Usage:	CNC processing centers/Food vacuum equipment/Packaging equipment/Wood processing/etc		



VN-0010

Speed	1440r/min	Pumping Speed	100m ³ /h
Voltage	380V	Refueling Quantity	2.5L
Limiting Pressure	-100Kpa	Power	3000W
Piping Interface	G1-1/4	Dimension	71*41*40cm
Product Feature	1、Environmentally friendly and smokeless 2、With strong pumping speed 3、High-temperature shaping、No oil leakage、and Fuel injection		
Usage:	CNC processing centers/Food vacuum equipment/Packaging equipment/Wood processing/etc		



VN-0140

Speed	1440r/min	Pumping Speed	140m ³ /h
Voltage	380V	Refueling Quantity	5L
Limiting Pressure	-100Kpa	Power	3500W
Piping Interface	G2-1/2	Dimension	75*45*30cm
Product Feature	1、Environmentally friendly and smokeless 2、With strong pumping speed 3、High-temperature shaping、No oil leakage、and Fuel injection		
Usage:	CNC processing centers/Food vacuum equipment/Packaging equipment/Wood processing/etc		



VN-0202

Speed	1440r/min	Pumping Speed	202m ³ /h
Voltage	380V	Refueling Quantity	6L
Limiting Pressure	-100Kpa	Power	4500W
Piping Interface	G2	Dimension	88*50*48.5cm
Product Feature	1、Environmentally friendly and smokeless 2、With strong pumping speed 3、High-temperature shaping、No oil leakage、and Fuel injection		
Usage:	CNC processing centers/Food vacuum equipment/Packaging equipment/Wood processing/etc		

SINGLE STAGE ROTARY VANE VACUUM PUMP



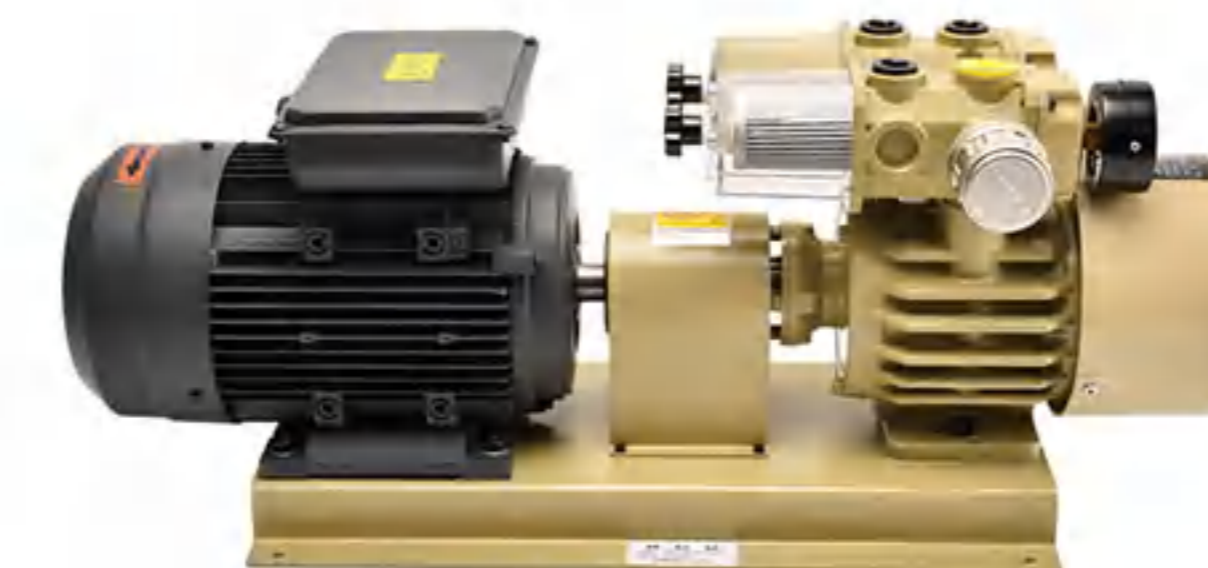
VN-0302

Speed	1440r/min	Pumping Speed	302m ³ /h
Voltage	380V	Refueling Quantity	8L
Limiting Pressure	-100Kpa	Power	7500W
Piping Interface	G2	Dimension	101*56*48.5cm
Product Feature	1、Environmentally friendly and smokeless 2、With strong pumping speed 3、High-temperature shaping、No oil leakage、and Fuel injection		
Usage:	CNC processing centers/Food vacuum equipment/Packaging equipment/Wood processing/etc		



VN10 OIL FREE

Speed	1450r/min	Pumping Speed	10m ³ /h
Voltage	220V-240V	Noise	≤60Db
Limiting Pressure	-90Kpa	Power	500W
Inlet/Exhaust Port	G1/2	Dimension	30.5*20*28.5cm
Product Feature	1、No oil lubrication operation 2、No process oil and gas pollution 3、Environmentally friendly, silent, durable, and easy to maintain		
Usage:	Automation equipment/spectrometers/SMT/tape weaving machines/printing/robotic arm grabbing industries/etc		

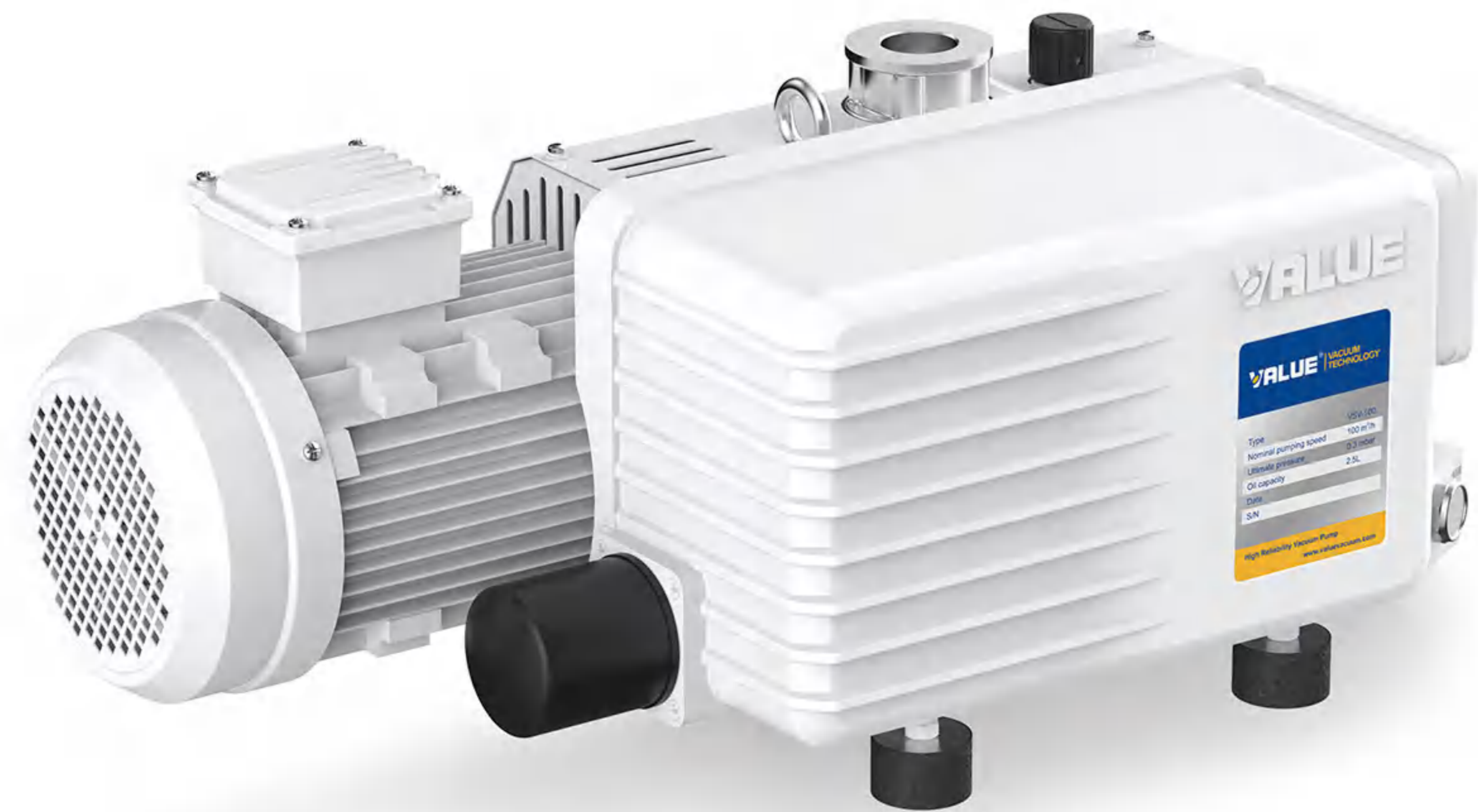


V40H OIL FREE

Speed	1440r/min	Pumping Speed	40m ³ /h
Voltage	220V/380V	Weight	38.2Kg
Limiting Pressure	-90Kpa	Power	1300W
Piping Interface	RC3/4	Dimension	64*23*26.7cm
Product Feature	1、No oil lubrication operation 2、No process oil and gas pollution 3、Environmentally friendly, silent, durable, and easy to maintain		
Usage:	Automation equipment/spectrometers/SMT/tape weaving machines/printing/robotic arm grabbing industries/etc		

VSV SINGLE STAGE ROTARY VANE VACUUM PUMP

Vacuum technology plays a crucial role in industry. We have been carefully exploring the application of products in different industries to understand the issues that customers are most concerned about. We design products that can be used to extract a certain amount of condensable air, avoid oil leakage, and prevent pump oil emulsification.



PRODUCT FEATURES

- Design for multi-gear gas ballast**
 It is more convenient for different processes to demand steam emissions.
- Anti-back-flow Structure**
 Safer protection of your vacuum system from oil contamination after downtime.
- Forced lubrication**
 Built-in gear pump and constant pressure oil supply equipment to ensure stable operation.
- Integral Pump Body**
 The small number of parts makes it easy to repair and maintain.

VSV SINGLE STAGE ROTARY VANE VACUUM PUMP

SCOPE OF APPLICATION

Refrigeration Industry

Automatic evacuation line for air conditioners, refrigerators, water dispensers, compressors; Refrigerant injection machine; Helium leak detection system, etc.



Medical Industry

Plasma sterilizer, vacuum freeze drying, vacuum stirring, etc. In view of the characteristics of a large amount of H2O2 gas and water vapor during the exhaust of plasma sterilizer.



Various Analytical Instruments

Spectrometer, chromatograph, physical and chemical analysis instrument, electron microscope, leak detector, etc.



Power industry

SF6 recycling, testing instruments, oil purifiers, etc



Electronics, semiconductor industry

Vacuum oven, glove box, polycrystalline furnace, single crystal furnace, quenching furnace, heat treatment furnace, ion plating, etc.;





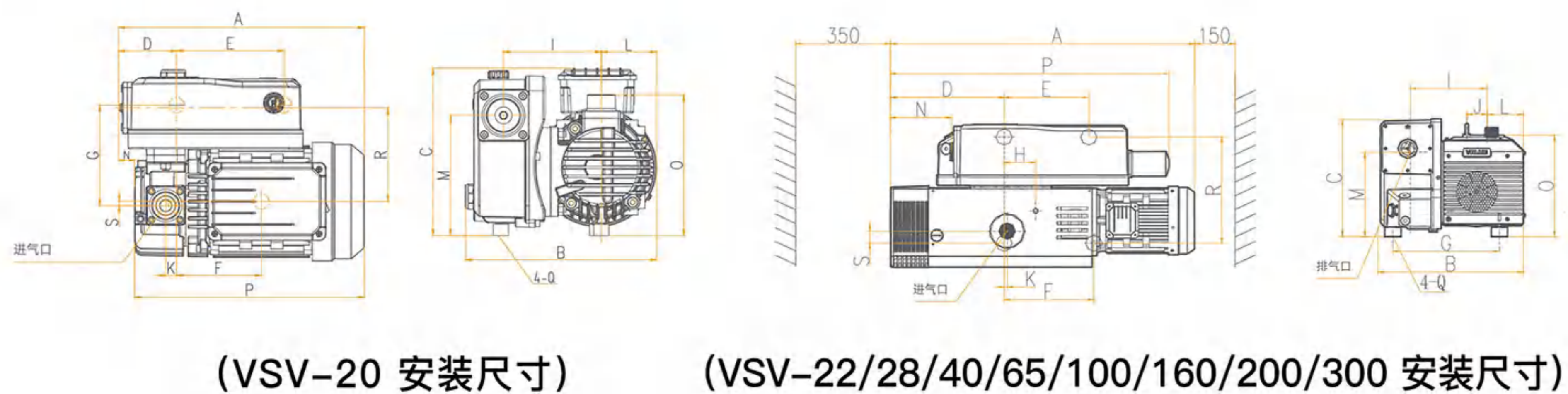
TECHNICAL PARAMETER

PROJECT		UNIT	MODEL			
			VSV-20	VSV-22	VSV-28	VSV-40P
Pumping Speed	50HZ	m³/h	20	22	28	40
	60HZ		24	26	33	48
Ultimate Total Pressure	Guanqi Town	mbar	/	≤0.3	≤0.3	≤0.3
Ultimate Total Pressure	Gas Ballast I	mbar	≤1	≤0.8	≤0.8	≤0.8
	Gas Ballast II	mbar	/	≤2.5	≤2.5	≤2
Allowable Pressure Of Water Vapor	Gas Ballast I	mbar	15	15	15	15
	Gas Ballast II	mbar	/	30	30	30
Power Supply			Single Phase Three-Phase	Single Phase Three-Phase	Single Phase Three-Phase	Three-Phase
Power		KW	0.75	1.1	1.1	1.3
Protection Grade			IP54	IP54	IP54	IP54
Air Intake And Exhaust Interface			G1/2"G3/4"/"	G3/4"	G3/4"	G1 1/4"
Oil Quantity		L	0.45	1.2	1.2	2.5
Motor Speed (50/60Hz)		rpm	2880/3440	1440/1720	1440/1720	1440/1720
Ambient Temperature		°C	10-40	10-40	10-40	10-40
Noise (50Hz)		dB	≤65	≤61	≤61	≤63
Weight		Kg	19.5	30	30	39.2
Size (L * W * H)		mm	317X249X219	496*268X248	496X268X248	555X304X268

TECHNICAL PARAMETER

PROJECT		UNIT	MODEL				
			VSV-65P	VSV-100	VSV-160	VSV-200	VSV-300
Pumping Speed	50HZ	m³/h	65	100	160	200	300
	60HZ		78	120	190	240	360
Ultimate Total Pressure	Guanqi Town	mbar	≤0.3	≤0.3	≤8X10 ⁻²	≤8X10 ⁻²	≤8X10 ⁻²
Ultimate Total Pressure	Gas Ballast I	mbar	≤0.5	≤0.8	≤0.5	≤0.5	≤0.5
	Gas Ballast II	mbar	≤2	≤3	≤1.5	≤1.5	≤1.5
Allowable Pressure Of Water Vapor	Gas Ballast I	mbar	15	15	30	30	30
	Gas Ballast II	mbar	30	30	50	50	50
Power Supply			Three-Phase	Three-Phase	Three-Phase	Three-Phase	Three-Phase
Power		KW	1.5	2.2/3.0	4.0/5.5	5.5	7.5
Protection Grade			IP54	IP54	IP54	IP54	IP54
Air Intake And Exhaust Interface			G1 1/4"	G1 1/4"	G2"	G2"	G2"
Oil Quantity		L	2.5	2.5	5-7	5-7	7-9
Motor Speed (50/60Hz)		rpm	1440/1720	1440/1720	1440/1720	1440/1720	1440/1720
Ambient Temperature		°C	10-40	10-40	10-40	10-40	10-40
Noise (50Hz)		dB	≤65	≤65	≤74	≤74	≤77
Weight		Kg	42.5	72	132	164	215
Size (L * W * H)		mm	555X311X268	703*406X286	915X533X412	932X533X412	1035X540X434

INSTALLATION DIMENSION



VSV VACUUM PUMP SIZE INFORMATION [UNIT: MM]

MODEL	A	B	C	D	E	F	G	H	I	J	K	L	M	N	O	P	Q	R	S
VSV-20	318	249	219	75.5	140	110.5	131	/	127.5	/	14	72	157	21	184	299	M8	122.3	5.3
VSV-22/28	496	268	248	112	220	300	190	108	146	25	20	80	182	27	204	392	M6	194	35
VSV-40	555	304	268	149	215	200	235	58	179	51	5	72	203	33	252	464	M8	235	33
VSV-65	555	311	268	149	215	200	254	58	189	51	5	72	203	33	252	464	M8	242	33
VSV-100	703	406	286	165	225	225	320	131	226	42	27	91	220	61	280	578	M10	258	41
VSV-160/200	915	533	412	263	252	305	394	113	298	66	32	135	305	134	382	918	M10	394	45
VSV-160/200	932	533	412	263	252	305	394	113	298	66	32	135	305	134	382	918	M10	394	45

VRD TWO-STAGE ROTARY VANE VACUUM PUMP

(HEREINAFTER REFERRED TO AS VRD VACUUM PUMP)

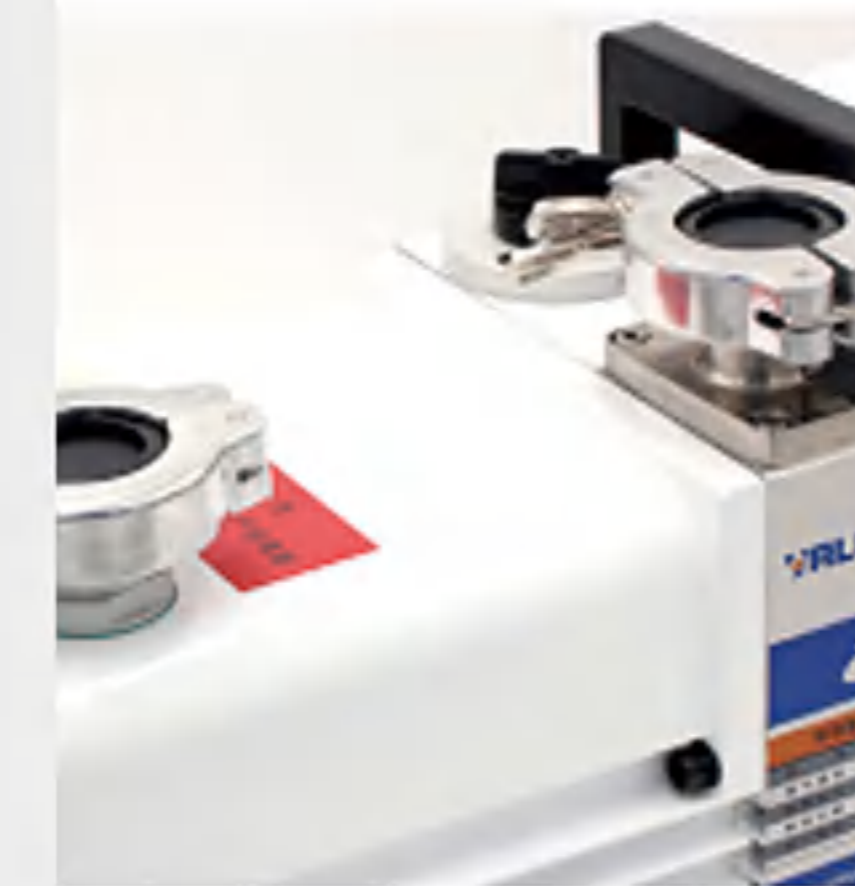
YCZX constantly pursues technological upgrades, and in this process, the quality of VRD vacuum pumps has reached a new high level. Stable operation thanks to the integral cylinder structure and circulating oil intake system. The matching automatic anti-backflow valve and two-step adjustable gas ballast improve the reliability of the vacuum pump. The fusion of technology and aesthetics, adhering to the tradition of excellence, makes VRD vacuum pumps classics.



PRODUCT FEATURES

Design for multi-gear gas ballast

Meet the needs of different processes for steam discharge



Anti-back-flow structure

Automatic anti-backflow valve for more reliable protection of your vacuum system



Device plug

Three port plug
Stable voltage

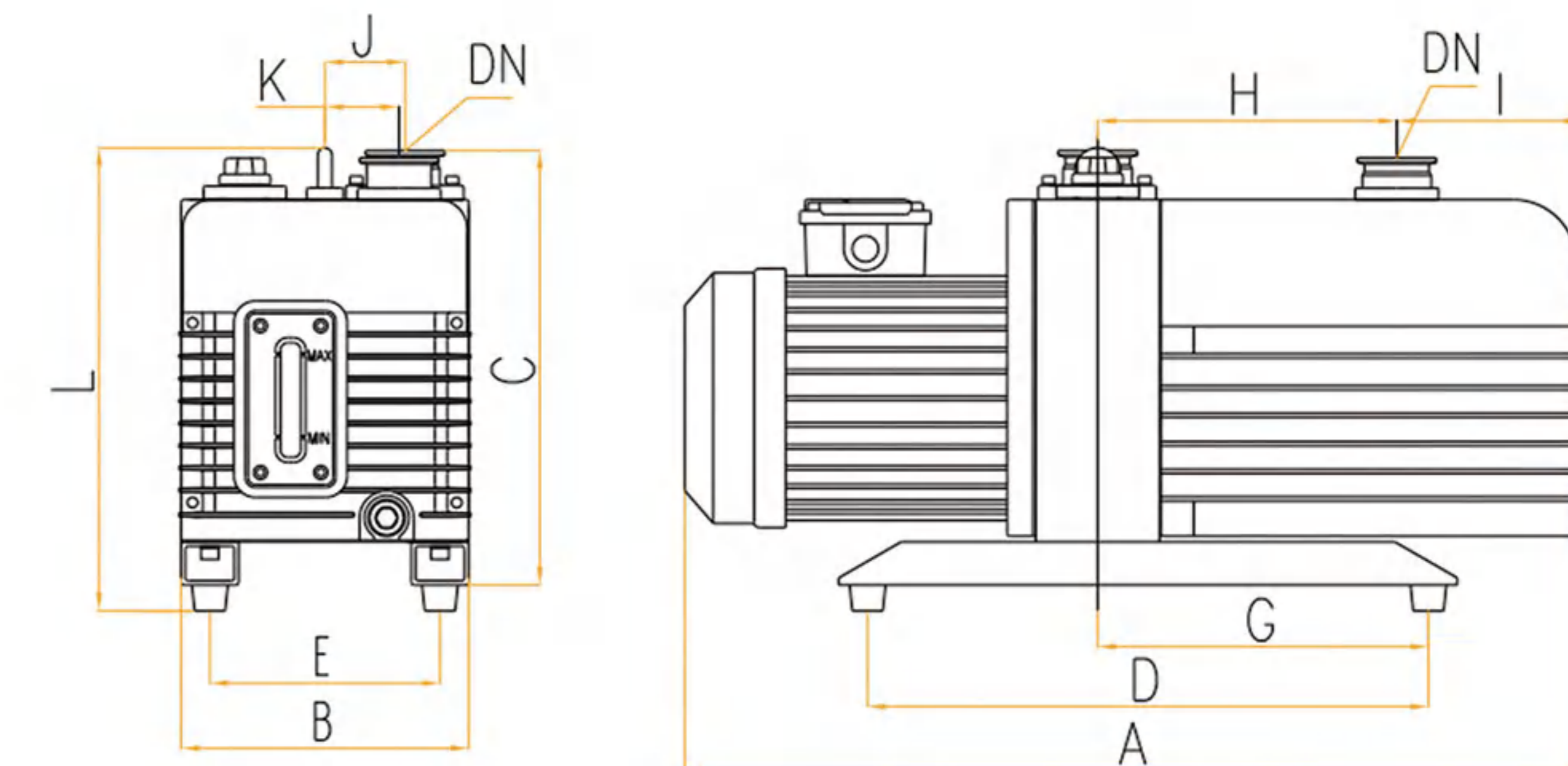


Rubber base

Rubber material is used to ensure that the experimental field is not harmed



INSTALLATION DIMENSION



VSR VACUUM PUMP SIZE INFORMATION [UNIT: MM]

MODEL	A	B	C	D	E	G	H	I	J	K	L	DN
VRD-4	440	144	217	210	110	95	143.5	45	45	34	/	KF16/25
VRD-8	440	144	217	210	110	95	143.5	45	45	34	/	KF16/25
VRD-16	530	188	272	320	148	160	165	69	59	38	295	KF25
VRD-24	567	188	272	320	148	160	185	82	59	47	295	KF25/40
VRD-30	567	188	272	320	148	160	185	82	59	47	295	KF25/40
VRD-48	730	234	358	396	190	220	223	157	69	55	390	KF40
VRD-65	730	234	358	396	190	220	223	157	69	55	390	KF25
VRD-90	730	234	358	396	190	220	223	157	69	55	390	KF25



TECHNICAL PARAMETER [REGULAR SERIES]

Project		Unit	Model			
			VRD-4	VRD-8	VRD-16	VRD-24
Pumping Speed	50HZ	m³/h (L/s)	4(1.1)	8(2.2)	16(4.4)	24(6.6)
	60HZ		4.8(1.3)	9.6(2.6)	19.2(5.2)	28.8(7.9)
Limit partial pressure – closing gas ballast		Pa	5x10 ⁻²	5x10 ⁻²	4x10 ⁻²	4x10 ⁻²
Extreme full pressure one off gas ballast		Pa	5x10 ⁻¹	5x10 ⁻¹	4x10 ⁻¹	4x10 ⁻¹
Extreme full pressure once opened gas ballast		Pa	10	10	8x10 ⁻¹	8x10 ⁻¹
Power Supply			Single/Three-phase	Single/Three-phase	Single/Three-phase	Single/Three-phase
Power		Kw	0.4/0.37	0.4/0.37	0.55	0.75
Protection Grade			IP44	IP44	IP44	IP44
Air Intake And Exhaust Interface			KF16/25	KF16/25	KF25	KF25/40
Oil Quantity		L	0.6~1.0	0.6~1.0	0.9~1.5	1.3~2.0
Motor Speed (50/60Hz)		rpm	1440/1720	1440/1720	1440/1720	1440/1720
Ambient Temperature		°C	10~40	10~40	10~40	10~40
Noise (50Hz)		dB	≤52	≤52	≤58	≤58
Weight		Kg	19	21	30	35
Size (L * W * H)		mm	440x144x217	440x144x217	530x188x272	567x188x272

Project		Unit	Model			
			VRD-30	VRD-48	VRD-65	VRD-90
Pumping Speed	50HZ	m³/h (L/s)	30(8.3)	48(13.3)	65(18)	85(23.6)
	60HZ		36(9.9)	57.6(16)	78(21.6)	102(28.3)
Limit partial pressure – closing gas ballast		Pa	4x10 ⁻²	4x10 ⁻²	4x10 ⁻²	4x10 ⁻²
Extreme full pressure one off gas ballast		Pa	4x10 ⁻¹	4x10 ⁻¹	4x10 ⁻¹	4x10 ⁻¹
Extreme full pressure once opened gas ballast		Pa	8x10 ⁻¹	1.5	1.5	1.5
Power Supply			Single/Three-phase	Three-phase	Three-phase	Three-phase
Power		Kw	1.1	1.5	2.2	3
Protection Grade			IP44	IP44	IP44	IP44
Air Intake And Exhaust Interface			KF25/40	KF40	KF40	KF40
Oil Quantity		L	1.3~2.0	3.3~4.5	3.3~4.5	3.3~4.5
Motor Speed (50/60Hz)		rpm	1440/1720	1440/1720	1440/1720	1440/1720
Ambient Temperature		°C	10~40	10~40	10~40	10~40
Noise (50Hz)		dB	≤58	≤62	≤62	≤65
Weight		Kg	43	62	65	65
Size (L * W * H)		mm	567x188x272	730x234x358	730x234x358	730x234x358

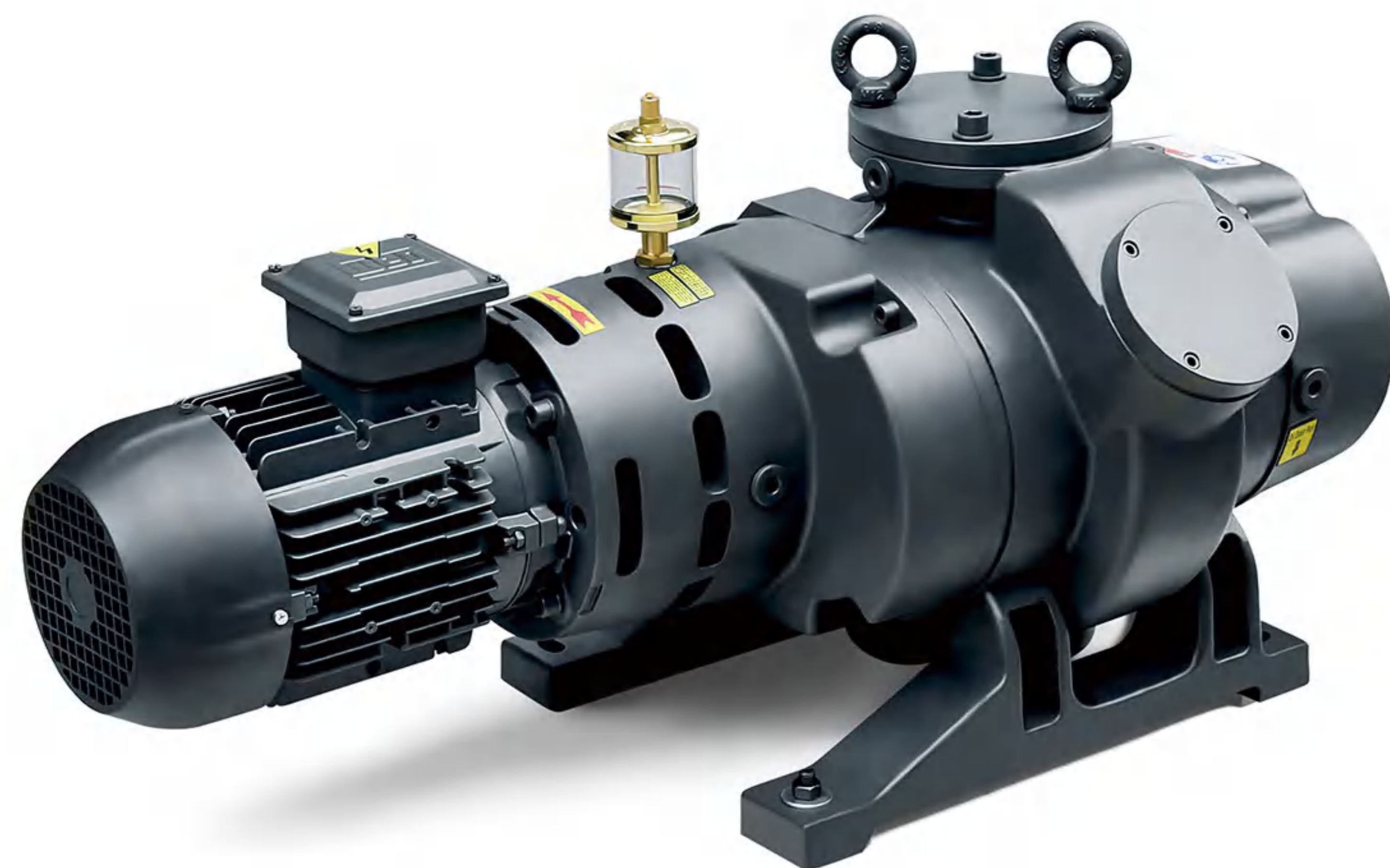
TECHNICAL PARAMETER [CORROSION RESISTANT SERIES]

Project		Unit	Model				
			VRD-8C	VRD-16C	VRD-30C	VRD-48C	VRD-65C
Pumping Speed	50HZ	m³/h (L/s)	8(2.2)	16(4.4)	30(8.3)	48(13.3)	65(18)
	60HZ		9.6(2.6)	19.2(5.2)	36(9.9)	57.6(16)	78(21.6)
Limit partial pressure – closing gas ballast			5x10 ⁻²	4x10 ⁻²	4x10 ⁻²	4x10 ⁻²	4x10 ⁻²
Extreme full pressure one off gas ballast		Pa	5x10 ⁻¹	4x10 ⁻¹	4x10 ⁻¹	4x10 ⁻¹	4x10 ⁻¹
Extreme full pressure once opened gas ballast		Pa	10	8x10 ⁻¹	8x10 ⁻¹	1.5	1.5
Power Supply		Pa	Single/Three-phase	Three-phase	Three-phase	Three-phase	Three-phase
Power			0.4/0.37	0.75/0.55	1.1	1.5	2.2
Protection Grade		Kw	IP44	IP44	IP44	IP44	IP44
Air Intake And Exhaust Interface			KF16/25	KF25	KF25/40	KF40	KF40
Oil Quantity		L	0.6~1.0	0.9~1.5	1.3~2.0	3.3~4.5	3.3~4.5
Motor Speed (50/60Hz)		rpm	1440/1720	1440/1720	1440/1720	1440/1720	1440/1720
Ambient Temperature		°C	10~40	10~40	10~40	10~40	10~40
Noise (50Hz)		dB	≤52	≤58	≤58	≤62	≤62
Weight		Kg	21	30	43	62	65
Size (L * W * H)		mm	440x144x217	530x188x272	567x188x272	730x234x358	730x234x358

★ Note: Technical specifications and parameters are subject to change under normal circumstances without prior notice!

YRP ROOTS VACUUM PUMP (HEREINAFTER REFERRED TO AS ROOTS PUMP)

Roots pump is a vacuum pump without internal compression, usually the compression ratio is very low, so high and medium vacuum pumps require backing pumps. Its structure is characterized by a large pumping speed in a wide pressure range; There is no need for oil sealing and lubrication in the pump chamber, which reduces oil contamination of the vacuum system. This pump is insensitive to dust and water vapor; The rotor has good geometric symmetry, so the vibration is small and the operation is stable. Roots vacuum pumps are tested in long-term operation in petroleum, chemical, plastic, pesticide, metallurgy, textile, steam turbine and aerospace simulators.

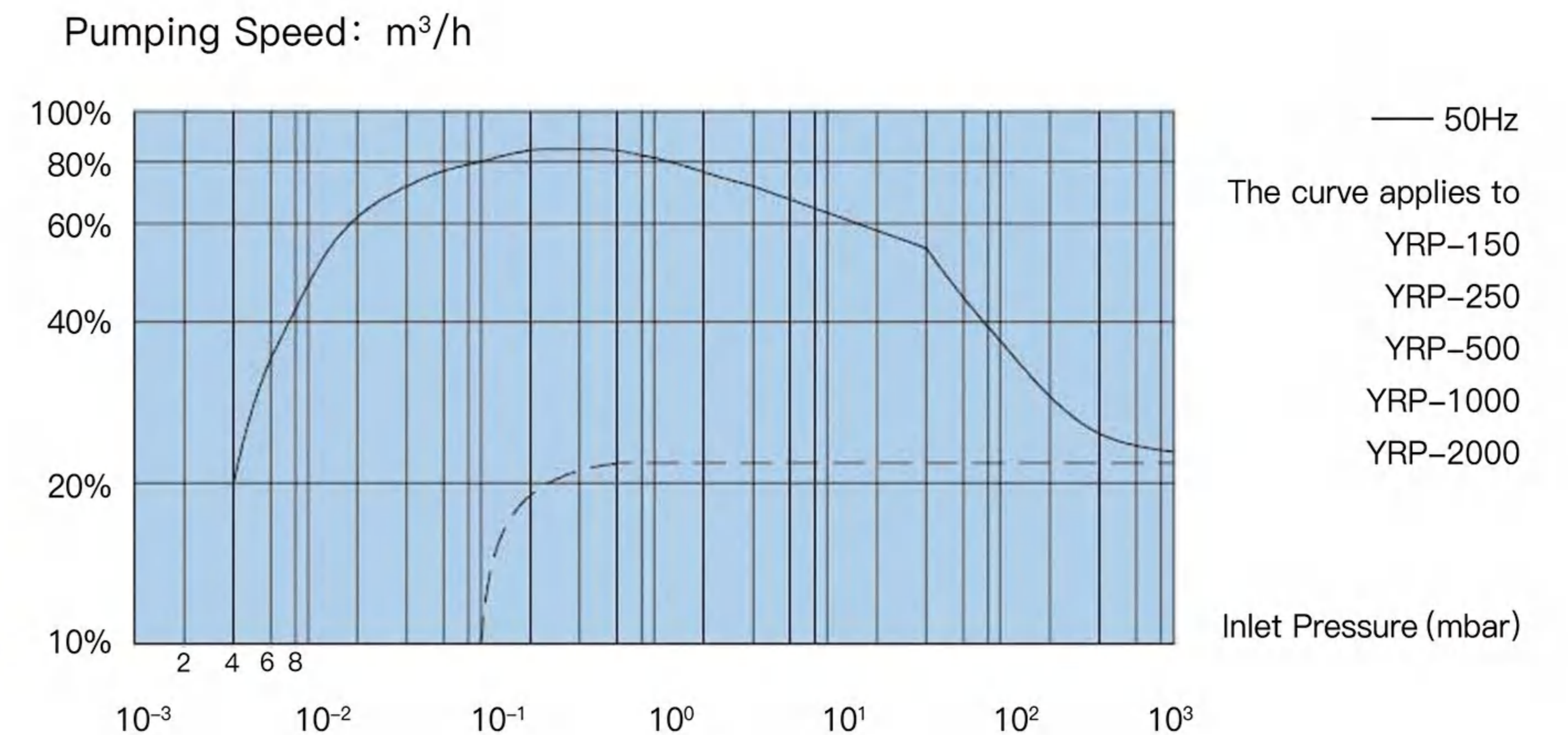


TECHNICAL PARAMETER

Project	Unit	Model			
		YRP-250	YRP-500	YRP-1000	YRP-2000
Pumping Speed	m ³ /h	253	505	1000	2050
Ultimate Total Pressure	pa	0.5			
Maximum Allowable Pressure Difference	pa	8000			5000
Inlet And Outlet Diameter	mm	70	70	100	150
Zero Flow Maximum Compression Ratio	max	≥35	≥40	≥40	≥50
Noise	Db(A)	63	63	68	75
Oil Consumption	L	1.5	3	5	7
Power	Kw	1.1	2.2	4	7.5
Motor Synchronous Speed	r/min	3000			
Cooling Method		Natural Wind Cooling			
Weight	kg	100	155	233	465
Overall Dimensions	cm	74x32.5x28.5	84.5x39.5x35	108x48.5x42	128x64.2x53
Recommended Front Pump Model	Single Stage Pump	YX-100	YX-160	YX-302	YX-630
	Bipolar pump	2X-15	2X-30	2X-70	Two sets2X-70

★ Note: The limit pressure and extraction rate shown in the above table are obtained under factory debugging conditions. When different front stage vacuum pumps are selected, these parameters will change accordingly.

PERFORMANCE CURVE

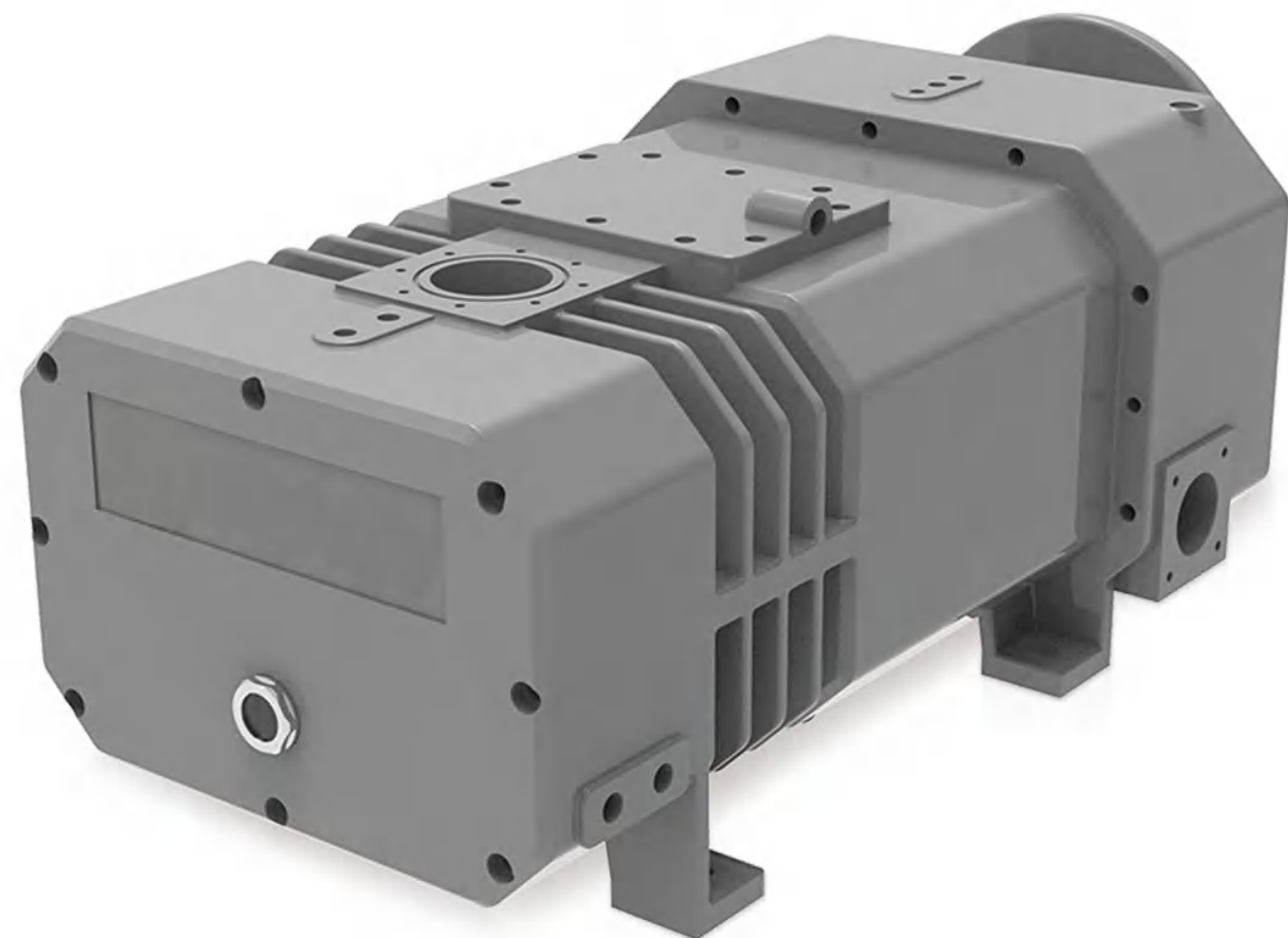


★ The dashed line represents the pumping speed of the front vacuum pump

【 DSV 】 DRY SCREW VACUUM PUMP

Working Principle:

In the body of a dry screw vacuum pump, two variable pitch screw rotors rotate at high speed in opposite directions. The medium gas is sucked between the pump body and the screw chamber, and then transported to the exhaust port after being compressed step by step. During this process, the screw rotors do not come into contact with each other and do not come into contact with the pump chamber.

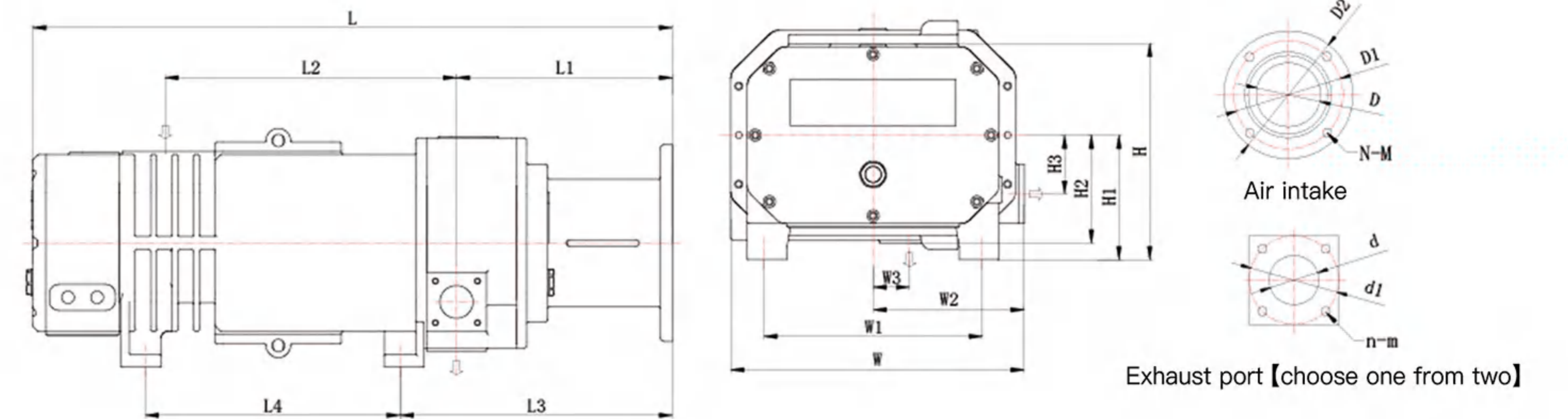


TECHNICAL PARAMETER

Model	Unit	DSV180	DSV280	DSV400	DSV540	DSV680	DSV800	DSV1100
Pumping Speed	m ³ /h(50Hz)	180	280	400	540	680	800	1100
	L/s(50Hz)	50	75	110	150	185	220	300
Limiting Pressure	Pa	≤10						
Power	Kw	5.5	7.5	11	15	18.5	22	30
Motor Speed	Rpm	2900						
Air Intake	/	DN50	DN65	DN65	DN80	DN80	DN80	DN125
Exhaust Port	/	KF40	KF50	KF50	KF65	KF65	KF65	KF80
Cooling Water	m ³ /h	0.3	0.4	0.5	0.8	1	1.2	2
	MPa	0.2~0.5						
	°C	Suggestion: Outdoor ambient temperature today						
Nitrogen	Caliber	G1/2"	G1/2"	G1/2"	G1/2"	G1/2"	G1/2"	G3/4"
	MPa	0.05~0.2						
	SealL/min	0~20						
Noise	PurgeL/min	0~60						
	Caliber	G1/4"	G1/4"	G1/4"	G1/4"	G1/4"	G1/4"	G1/4"
Pump Head Weight	Kg	300	350	380	630	660	700	900

★ Note: The limit pressure and extraction rate shown in the above table are obtained under factory debugging conditions. When different front stage vacuum pumps are selected, these parameters will change accordingly.

PAPER SIZE



型号	L	L1	L2	L3	L4	H	H1	H2	H3	W	W1	W2	W3	D	D1	D2	N-M	d	d1	n-m
DSV180	652	246	296	302	258	250	140	125	40	325	260	171	20	50	80	100	4-M8	40	75	4-M8
DSV280	966	326	440	411	385	330	190	160	90	443	330	228	55	65	110	130	4-M8	50	90	4-M8
DSV400	986	346	440	431	385	330	190	160	100	443	330	228	60	65	110	130	4-M8	50	90	4-M8
DSV540	1105	374	513	479	436	380	220	190	105	521	388	267	69	80	125	145	8-M8	65	110	4-M8
DSV680	1120	389	513	494	436	380	220	190	115	521	388	267	69	80	125	145	8-M8	65	110	4-M8
DSV800	1225	402	537	515	445	470	250	220	120	581	420	299	0	125	170	190	8-M10	80	125	4-M10
DSV1100	1265	416	564	530	460	490	280	250	130	601	450	309	0	125	170	190	8-M10	80	125	4-M10

Note: The final interpretation of this size belongs to the enterprise.

2BV WATER RING VACUUM PUMP

2BV water ring vacuum pump is composed of pump cover, pump body, disc, impeller, Pmechanical seal, motor and other parts. The intake and exhaust pipes are connected to the pump chamber by a disc; The shaft is eccentrically mounted in the pump body; The impeller is fixed to the shaft by a flat key; The gap between the two end faces is adjusted by the pad between the pump body and the disc; The magnitude of the gas loss and the ultimate pressure depend on the gap between the discs on the pump cover.



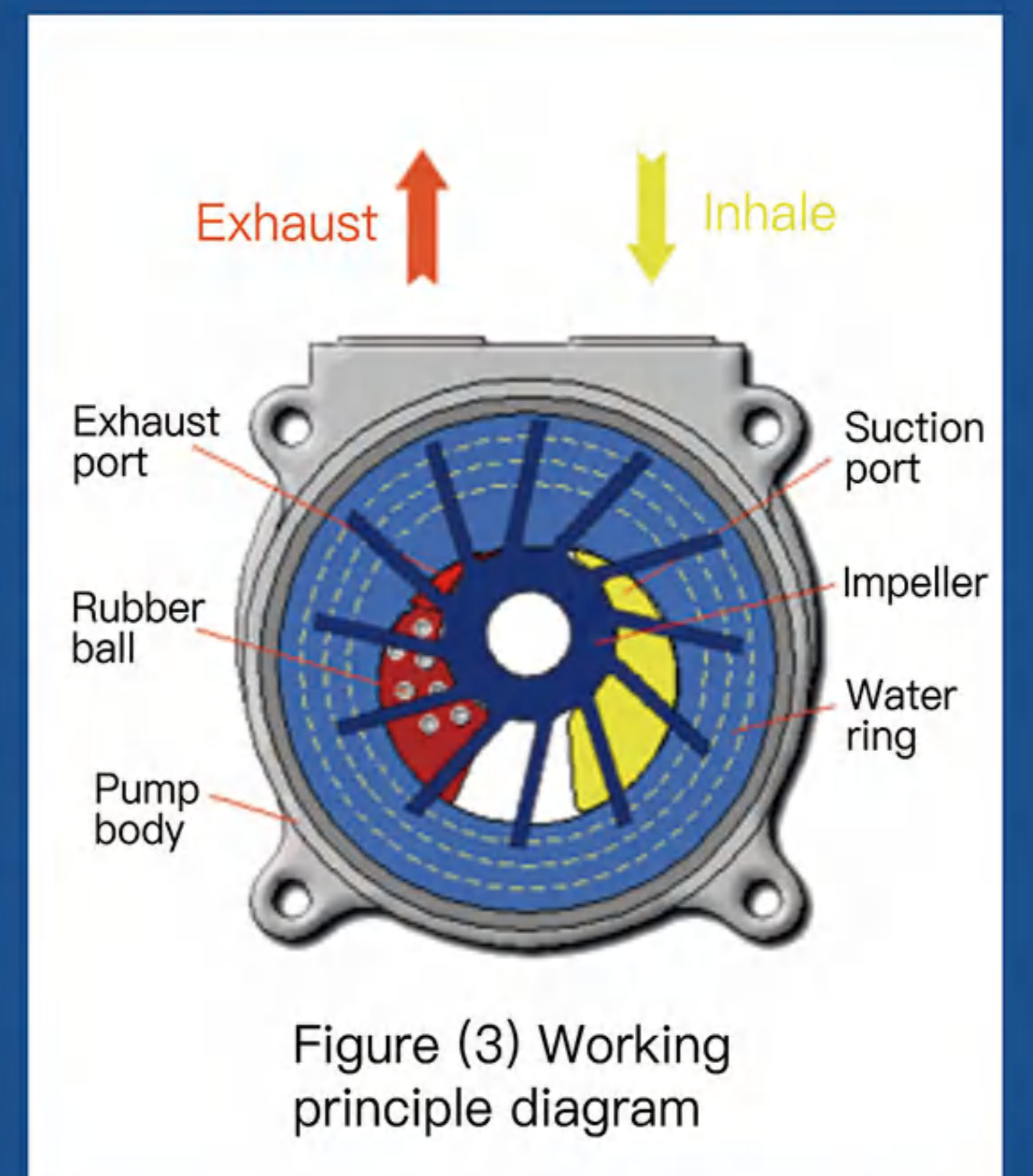
TECHNICAL PARAMETER

Model	Extreme Pressure	Maximum Air Pressure	Power	Speed	Working Fluid Flow	Noise	Weight	Pipe Orifice Size
	Pa	M ³ /h	Kw	Rpm	M ³ /h	db(A)	Kg	
2BV-2060	3300	27	0.81	2880	0.12	62	32	Import and export One inch inner thread
2BV-2061	3300	52	1.45	2880	0.12	65	33	Import and export One inch inner thread
2BV-2070	3300	80	2.35	2880	0.15	66	50	Import and export One inch inner thread
2BV-2071	3300	110	3.85	2880	0.25	72	62	Import and export One inch inner thread
2BV-5110	3300	165	4	1450	0.4	63	94	Import and export DN50 flange
2BV-5111	3300	230	5.5	1450	0.5	68	110	Import and export DN50 flange
2BV-5121	3300	280	7.5	1450	0.6	69	136	Import and export DN65 flange
2BV-5131	3300	400	11	1450	0.9	73	184	Import and export DN65 flange
2BV-5161	3300	500	15	970	1.2	74	296	Import and export DN80 flange

★ Note: Technical specifications and parameters are subject to change under normal circumstances without prior notice!

Operating Principle

As shown in Figure (3) the impeller is eccentrically installed in the pump body, and a certain height of water is injected into the pump when starting, so when the impeller rotates, the water is subjected to the action of centrifugal force and forms a rotating water ring on the inner wall of the pump body, the inner surface of the lower part of the water ring is tangent to the wheel, rotates along the direction of the arrow, and in the process of the first half rotation, the inner surface of the water ring is gradually separated from the wheel, so a closed space is formed with the water ring between the impeller blades.



ROTARY VANE VACUUM PUMP SET

The scientific research team delves into the core technology and selects high-end durable components and materials. The single-stage rotary vane vacuum pump is mainly used to pump out air and other dry gases, but it cannot pump corrosive, toxic, flammable and explosive, containing fine particles or dust, and cannot transport other small objects. The single-stage rotary vane vacuum pump can work for a long time in an indoor with an ambient temperature of 5~30 degrees, a humidity of less than 80% and good ventilation.

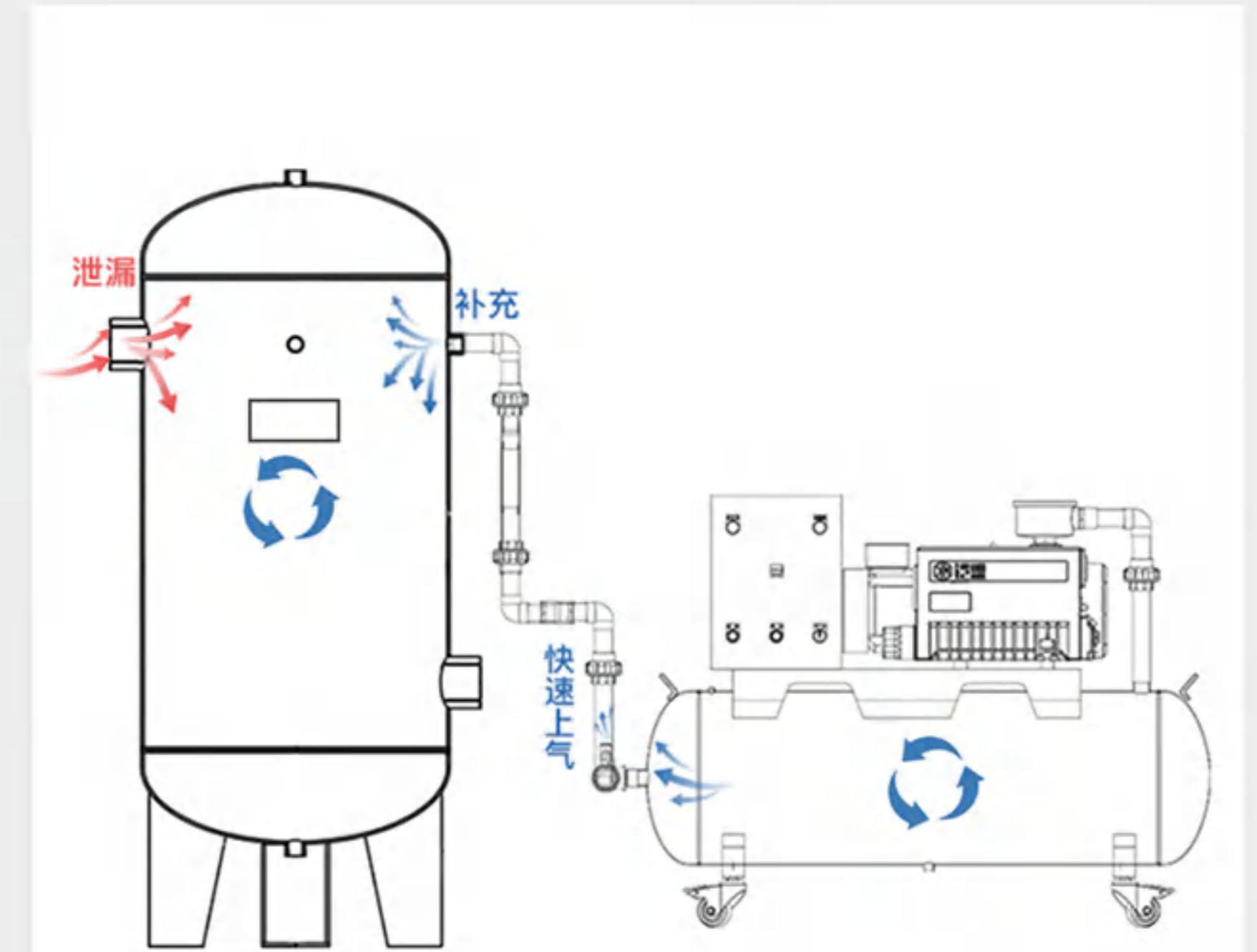


ROTARY VANE VACUUM PUMP SET

Energy saving and consumption reduction in one step

Automatic pressure holding

The single-stage rotary vane vacuum pump is mainly used to pump out air and other dry gases, but it cannot pump corrosive, toxic, flammable and explosive, containing fine particles or dust, and cannot transport other small objects. The single-stage rotary vane vacuum pump can work for a long time in an indoor with an ambient temperature of 5~30 degrees, a humidity of less than 80% and good ventilation.



Auto Start Stop

The system automatically controls the working state of the vacuum pump according to the set upper and lower limits. As a result, the staffing and machine working time are reduced, the service life of the vacuum pump is effectively increased, and the purpose of energy saving and consumption reduction can be achieved.



ROTARY VANE VACUUM PUMP SET



FVN-0020			
Speed	2800r/min	Pumping Speed	20m ³ /h
Voltage	220V	Refueling Quantity	0.5L
limiting Pressure	-100Kpa	Power	900W
Inspiratory Caliber	G1/2	Dimension	68*33*71cm
Product Features	1、Environmentally friendly, smokeless 2、low noise, fast pre extraction speed 3、paired with a 40L air storage tank		
Usage:	CNC processing centers / packaging equipment / food vacuum equipment / wood processing / etc		



FVN-0025			
Speed	2800r/min	Pumping Speed	25m ³ /h
Voltage	220V	Refueling Quantity	0.5L
limiting Pressure	-100Kpa	Power	750W
Inspiratory Caliber	G1/2	Dimension	58.5*37*75cm
Product Features	1、Environmentally friendly, smokeless 2、low noise, fast pre extraction speed 3、paired with a 40L air storage tank		
Usage:	CNC processing centers / packaging equipment / food vacuum equipment / wood processing / etc		



FVN-0025			
Speed	2800r/min	Pumping Speed	25m ³ /h
Voltage	380V	Refueling Quantity	0.5L
limiting Pressure	-100Kpa	Power	750W
Inspiratory Caliber	G1	Dimension	99*32*75cm
Product Features	1、Environmentally friendly, smokeless 2、low noise, fast pre extraction speed 3、paired with a 40L air storage tank		
Usage:	CNC processing centers / packaging equipment / food vacuum equipment / wood processing / etc		



FVN-0040			
Speed	1400r/min	Pumping Speed	40m ³ /h
Voltage	380V	Refueling Quantity	1.5L
limiting Pressure	-100Kpa	Power	1500W
Inspiratory Caliber	G1-1/4	Dimension	133*34*85cm
Product Features	1、Environmentally friendly, smokeless 2、low noise, fast pre extraction speed 3、paired with a 40L air storage tank		
Usage:	CNC processing centers / packaging equipment / food vacuum equipment / wood processing / etc		



FVN-0063-A			
Speed	1440r/min	Pumping Speed	63m ³ /h
Voltage	380V	Refueling Quantity	1.5L
limiting Pressure	-100Kpa	Power	1500W
Inspiratory Caliber	G1-1/4	Dimension	133*34*89cm
Product Features	1、Environmentally friendly, smokeless 2、low noise, fast pre extraction speed 3、paired with a 40L air storage tank		
Usage:	CNC processing centers / packaging equipment / food vacuum equipment / wood processing / etc		

ROTARY VANE VACUUM PUMP SET



FVN-0063-B			
Speed	1440r/min	Pumping Speed	70m ³ /h
Voltage	380V	Refueling Quantity	2.5L
limiting Pressure	-100Kpa	Power	2200W
Inspiratory Caliber	G1-1/4	Dimension	152*40*100cm
Product Features	1、Environmentally friendly, smokeless 2、low noise, fast pre extraction speed 3、paired with a 40L air storage tank		
Usage:	CNC processing centers / packaging equipment / food vacuum equipment / wood processing / etc		



FVN-0010			
Speed	1440r/min	Pumping Speed	100m ³ /h
Voltage	380V	Refueling Quantity	2.5L
limiting Pressure	-100Kpa	Power	3000W
Inspiratory Caliber	G1-1/4	Dimension	152*40*100cm
Product Features	1、Environmentally friendly, smokeless 2、low noise, fast pre extraction speed 3、paired with a 40L air storage tank		
Usage:	CNC processing centers / packaging equipment / food vacuum equipment / wood processing / etc		



FVN-0140			
Speed	1440r/min	Pumping Speed	140m ³ /h
Voltage	380V	Refueling Quantity	5L
limiting Pressure	-100Kpa	Power	3500W
Inspiratory Caliber	G1-1/2	Dimension	170*53*121cm
Product Features	1、Environmentally friendly, smokeless 2、low noise, fast pre extraction speed 3、paired with a 40L air storage tank		
Usage:	CNC processing centers / packaging equipment / food vacuum equipment / wood processing / etc		



FVN-0202			
Speed	1440r/min	Pumping Speed	202m ³ /h
Voltage	380V	Refueling Quantity	6L
limiting Pressure	-100Kpa	Power	4500W
Inspiratory Caliber	G2	Dimension	170*53*143cm
Product Features	1、Environmentally friendly, smokeless 2、low noise, fast pre extraction speed 3、paired with a 40L air storage tank		
Usage:	CNC processing centers / packaging equipment / food vacuum equipment / wood processing / etc		



FVN-0302			
Speed	1440r/min	Pumping Speed	302m ³ /h
Voltage	380V	Refueling Quantity	8L
limiting Pressure	-100Kpa	Power	7500W
Inspiratory Caliber	G2	Dimension	170*53*143cm
Product Features	1、Environmentally friendly, smokeless 2、low noise, fast pre extraction speed 3、paired with a 40L air storage tank		
Usage:	CNC processing centers / packaging equipment / food vacuum equipment / wood processing / etc		

OIL FREE VACUUM PUMP UNIT

The piston ring (leather bowl) of the oil-free vacuum pump is designed with a new environmentally friendly material, and the self-lubrication replaces the oil lubrication of the traditional vacuum pump, so that the vacuum pump is truly in an oil-free state during operation. After the surface hardening process, the surface wear resistance of the cylinder is effectively improved, so as to prolong the service life. Intelligent control, no preheating, ready to use.



OIL FREE VACUUM PUMP UNIT



FVN-120V

Air Tank Capacity	20L	Pumping Speed	100L/min
Voltage	220V	Inspiratory Caliber	G1/4
limiting Pressure	-91Kpa	Power	370W
Overall Weight	≤21Kg	Dimension	60.5*27*50cm
Product Features	1、Oil free, environmentally friendly, and low noise 2、Fast pre pumping speed 3、Paired with a 20L gas storage tank		
Usage:	CNC processing centers / packaging equipment / food vacuum equipment / wood processing / etc		

FVN-180V

Air Tank Capacity	20L	Pumping Speed	160L/min
Voltage	220V	Inspiratory Caliber	G1/2
limiting Pressure	-91Kpa	Power	600W
Overall Weight	≤26Kg	Dimension	60*27*56cm
Product Features	1、Oil free, environmentally friendly, and low noise 2、Fast pre pumping speed 3、Paired with a 20L gas storage tank		
Usage:	CNC processing centers / packaging equipment / food vacuum equipment / wood processing / etc		

FVN-180V-2

Air Tank Capacity	65L	Pumping Speed	320L/min
Voltage	220V	Inspiratory Caliber	G1/2
limiting Pressure	-91Kpa	Power	1200W
Overall Weight	≤49Kg	Dimension	69*34*63cm
Product Features	1、Oil free, environmentally friendly, and low noise 2、Fast pre pumping speed 3、Paired with a 65L gas storage tank		
Usage:	CNC processing centers / packaging equipment / food vacuum equipment / wood processing / etc		

FVN-200V

Air Tank Capacity	40L	Pumping Speed	200L/min
Voltage	220V	Inspiratory Caliber	G1/2
limiting Pressure	-91Kpa	Power	1000W
Overall Weight	≤40Kg	Dimension	73*32*69cm
Product Features	1、Oil free, environmentally friendly, and low noise 2、Fast pre pumping speed 3、Paired with a 40L gas storage tank		
Usage:	CNC processing centers / packaging equipment / food vacuum equipment / wood processing / etc		

FVN-300V

Air Tank Capacity	40L	Pumping Speed	300L/min
Voltage	220V	Inspiratory Caliber	G1/2
limiting Pressure	-91Kpa	Power	1500W
Overall Weight	≤40Kg	Dimension	73*32*69cm
Product Features	1、Oil free, environmentally friendly, and low noise 2、Fast pre pumping speed 3、Paired with a 40L gas storage tank		
Usage:	CNC processing centers / packaging equipment / food vacuum equipment / wood processing / etc		

OIL FREE VACUUM PUMP UNIT



FVN-300V [Grey]

Air Tank Capacity	40L	Pumping Speed	300L/min
Voltage	220V	Inspiratory Caliber	G1/2
limiting Pressure	-90Kpa	Power	1500W
Refueling Quantity	No Refueling Required	Dimension	68*74*35cm
Product Features	1、Oil free, environmentally friendly, and low noise 2、Fast pre pumping speed 3、Paired with a 40L gas storage tank		
Usage:	CNC processing centers / packaging equipment / food vacuum equipment / wood processing / etc		



FVN-400V

Air Tank Capacity	65L	Pumping Speed	400L/min
Voltage	220V	Inspiratory Caliber	G1/2
limiting Pressure	-91Kpa	Power	2000W
Overall Weight	≤80Kg	Dimension	100*38*76cm
Product Features	1、Oil free, environmentally friendly, and low noise 2、Fast pre pumping speed 3、Paired with a 65L gas storage tank		
Usage:	CNC processing centers / packaging equipment / food vacuum equipment / wood processing / etc		



FVN-500V-1

Air Tank Capacity	40L	Pumping Speed	480L/min
Voltage	220V	Inspiratory Caliber	G1/2
limiting Pressure	8.3*10 ³ Kpa	Power	800W
Ambient Temperature	-5~40°C	Dimension	65*36*71cm
Product Features	1、Oil free, environmentally friendly, and low noise 2、Fast pre pumping speed 3、Paired with a 30L gas storage tank		
Usage:	CNC processing centers / packaging equipment / food vacuum equipment / wood processing / etc		



FVN-500V-2

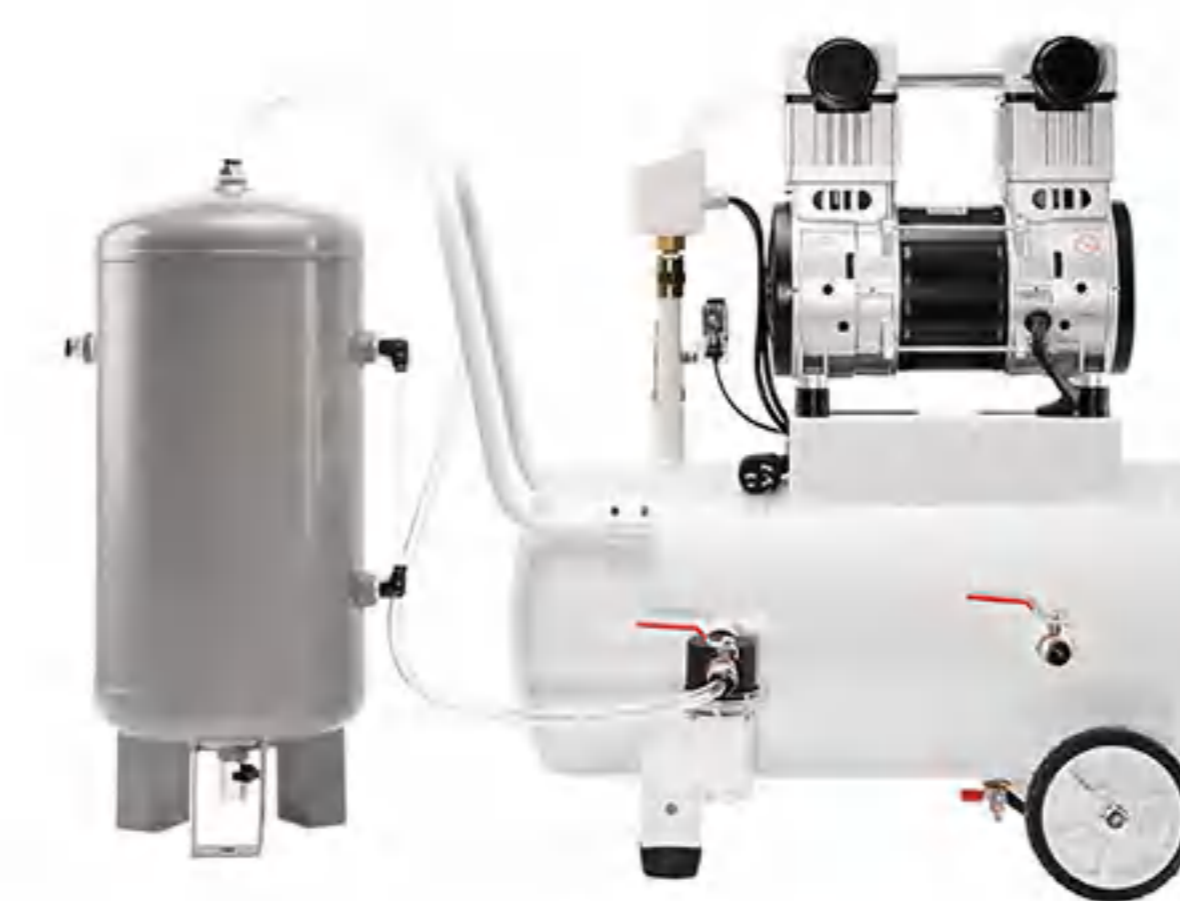
Air Tank Capacity	65L	Pumping Speed	960L/min
Voltage	220V	Inspiratory Caliber	G1/2
limiting Pressure	8.3*10 ³ Kpa	Power	1600W
Overall Weight	-5~40°C	Dimension	98*43*80cm
Product Features	1、Oil free, environmentally friendly, and low noise 2、Fast pre pumping speed 3、Paired with a 65L gas storage tank		
Usage:	CNC processing centers / packaging equipment / food vacuum equipment / wood processing / etc		

OIL FREE VACUUM PUMP UNIT



FVN-600V

Air Tank Capacity	65L	Pumping Speed	600L/min
Voltage	220V	Inspiratory Caliber	G1/2
limiting Pressure	-91Kpa	Power	3000W
Overall Weight	≤80Kg	Dimension	100*38*76cm
Product Features	1、Oil free, environmentally friendly, and low noise 2、Fast pre pumping speed 3、Paired with a 65L gas storage tank		
Usage:	CNC processing centers / packaging equipment / food vacuum equipment / wood processing / etc		



FVN-300V-20

Air Tank Capacity	40L	Pumping Speed	300L/min
Voltage	220V	Inspiratory Caliber	G1/2
limiting Pressure	-90Kpa	Power	1500W
Overall Weight	≤40Kg	Dimension	73*46*73cm
Product Features	1、Oil free, environmentally friendly, and low noise 2、Fast pre pumping speed 3、Paired with a 20L vertical air storage tank		
Usage:	CNC processing centers / packaging equipment / food vacuum equipment / wood processing / etc		



FVN-300V-30

Air Tank Capacity	40L	Pumping Speed	300L/min
Voltage	220V	Inspiratory Caliber	G1/2
limiting Pressure	-90Kpa	Power	1500W
Overall Weight	≤40Kg	Dimension	73*32*69cm
Product Features	1、Oil free, environmentally friendly, and low noise 2、Fast pre pumping speed 3、Paired with a 50L vertical air storage tank		
Usage:	CNC processing centers / packaging equipment / food vacuum equipment / wood processing / etc		



FVN-600V-50

Air Tank Capacity	65L	Pumping Speed	600L/min
Voltage	220V	Inspiratory Caliber	G1/2
limiting Pressure	-91Kpa	Power	3000W
Overall Weight	≤80Kg	Dimension	100*38*76cm
Product Features	1、Oil free, environmentally friendly, and low noise 2、Fast pre pumping speed 3、Paired with a 50L vertical air storage tank		
Usage:	CNC processing centers / packaging equipment / food vacuum equipment / wood processing / etc		

AUTOMATIC DRAINAGE SYSTEM

The vacuum automatic draining negative pressure station is a device that obtains vacuum through a rotary vane vacuum pump, and is used as a fully automatic vacuum control integrated system for vacuum conditions. Mainly as a device that provides vacuum conditions in the CNC machining industry. In view of the problem that the cutting fluid will be sucked up during CNC water-cooled machining, an automatic liquid discharge scheme is provided to avoid the formation of oil-water mixture that can damage the pump head after too much cutting fluid enters the pump head, which effectively improves the service life of the pump head and reduces labor costs.



FVN-0025-ZD

Voltage	220V	Pumping Speed	25m ³ /h
Vacuum Degree	-100Kpa	Power	750W
Refueling Quantity	0.5L	Inspiratory Caliber	G1
Air Tank Capacity	Vacuum Tank 45L, Drainage Tank 10L		
Usage: CNC processing centers / Food vacuum equipment / Packaging equipment / Printing machines / Hospital central systems / Rubber and plastic molding machines / Wood processing / Papermaking industry (excluding water and gas) / Etc			



FVN-0040-ZD

Voltage	380V	Pumping Speed	40m ³ /h
Vacuum Degree	-100Kpa	Power	1500W
Refueling Quantity	1.5L	Inspiratory Caliber	G1-1/4
Air Tank Capacity	Vacuum Tank 157L, Drainage Tank 23L		
Usage: CNC processing centers / Food vacuum equipment / Packaging equipment / Printing machines / Hospital central systems / Rubber and plastic molding machines / Wood processing / Papermaking industry (excluding water and gas) / Etc			

AUTOMATIC DRAINAGE SYSTEM



FVN-0063-ZDS

Voltage	380V	Pumping Speed	63m ³ /h
Vacuum Degree	-100Kpa	Power	1500W
Refueling Quantity	2L	Inspiratory Caliber	G1-1/4
Air Tank Capacity	Vacuum Tank 157L, Drainage Tank 23L		
Usage: CNC processing centers / Food vacuum equipment / Packaging equipment / Printing machines / Hospital central systems / Rubber and plastic molding machines / Wood processing / Papermaking industry (excluding water and gas) / Etc			



FVN-0063-ZDL

Voltage	380V	Pumping Speed	70m ³ /h
Vacuum Degree	-100Kpa	Power	2200W
Refueling Quantity	4L	Inspiratory Caliber	G1-1/4
Air Tank Capacity	Vacuum Tank 157L, Drainage Tank 23L		
Usage: CNC processing centers / Food vacuum equipment / Packaging equipment / Printing machines / Hospital central systems / Rubber and plastic molding machines / Wood processing / Papermaking industry (excluding water and gas) / Etc			



FVN-0100-ZD

Voltage	380V	Pumping Speed	100m ³ /h
Vacuum Degree	-100Kpa	Power	3000W
Refueling Quantity	4L	Inspiratory Caliber	G1-1/4
Air Tank Capacity	Vacuum Tank 157L, Drainage Tank 23L		
Usage: CNC processing centers / Food vacuum equipment / Packaging equipment / Printing machines / Hospital central systems / Rubber and plastic molding machines / Wood processing / Papermaking industry (excluding water and gas) / Etc			



FVN-300V-ZD

Voltage	220V	Pumping Speed	300L/min
Vacuum Degree	-91Kpa	Power	1500W
Refueling Quantity	No Refueling Required	Inspiratory Caliber	G1
Air Tank Capacity	Vacuum Tank 45L, Drainage Tank 10L		
Dimension	105*40*113cm		
Usage: CNC processing centers / Food vacuum equipment / Packaging equipment / Printing machines / Hospital central systems / Rubber and plastic molding machines / Wood processing / Papermaking industry (excluding water and gas) / Etc			

AUTOMATIC DRAINAGE SYSTEM



FPS-300-CSV

Air Tank Capacity	300L	Material Quality	Q235B
Sewage Outlet Interface	G1	Interface Size	G2(2个) G3/4(1个)
Foot Size: 370*385mm	Dimension		1560*560*1300mm
Support foot installation hole diameter	22mm strip hole		
Product Features	1、Automatic drainage 2、Small Vertical Footprint、Easy Installation		
Usage	CNC processing centers / Food vacuum equipment / Packaging equipment / Printing machines / Etc		



FPS-1000-CSV

Air Tank Capacity	1Cube	Material Quality	Q235B
Sewage Outlet Interface	G1	Interface Size	G3/4(1个) DN100(2个)
Foot Size: 540*550mm	Dimension		2160*800*1950mm
Support foot installation hole diameter	22mm strip hole		
Product Features	1、Automatic drainage 2、Small Vertical Footprint、Easy Installation		
Usage	CNC processing centers / Food vacuum equipment / Packaging equipment / Printing machines / Etc		

Support non-standard customization

VN-180V Vacuum Pump Automatic Drainer



Automatic Drain



AUTOMATIC DRAINAGE SYSTEM



FPS-30

Air Tank Capacity	30L	Material Quality	Q235B
Check Valve Interface	G1/2	Interface Size	G3(1个) G1-1/2(2个)
Outer Diameter Of Trachea	8mm		
Dimension	300*500*650mm		
Product Features	1、Automatic drainage 2、Small Vertical Footprint、Easy Installation		
Usage	CNC processing centers / Food vacuum equipment / Packaging equipment / Printing machines / Etc		



FPS-80

Air Tank Capacity	80L	Material Quality	Q235B
Check Valve Interface	G1/2	Interface Size	G3(3个)
Outer Diameter Of Trachea	8mm		
Dimension	400*650*800mm		
Product Features	1、Automatic drainage 2、Small Vertical Footprint、Easy Installation		
Usage	CNC processing centers / Food vacuum equipment / Packaging equipment / Printing machines / Etc		



FPS-0020-ZD

Voltage	220V	Pumping Speed	20m³/h
Vacuum Degree	-100kpa	Power	900W
Refueling Quantity	0.5L	Refueling Quantity	G1
Air Tank Capacity	Vacuum Tank 45L, Drainage Tank 10L		
Dimension	108*40*105cm		
Usage:	CNC processing centers / Food vacuum equipment / Packaging equipment / Printing machines / Etc		



FPS-300-CSH

Air Tank Capacity	/	Material Quality	Q235B
Foot Size	750*565mm	Interface Size	G3/4(1个) DN100(2个)
Sewage Interface	G1		
Dimension	1460*560*1430mm		
Usage:	Row Welder Equipment / Facial Mask Machine / Electric Welder Vacuum Pump Negative Pressure Station		

WATER RING VACUUM PUMP STATION

The water ring vacuum pump station is suitable for pumping gases and water vapor, and its suction pressure can reach 33 mbar. The integrated water ring vacuum pumping station saves water consumption significantly by circulating water.

The machine's built-in check valve prevents water from backing up when the vacuum pump is shut down and keeps the vacuum level in the vessel constant. When the vacuum pump station works for a long time with the suction pressure below 80 mbar, the cavitation protection tube should be connected to protect the pump.



Model	Max Pressure (Pa)	Max Pumping Speed (m³/h)	Power (Kw)	Voltage (V)	Max Rotation Speed (R/min)	Air Tank Volume (L)
FSH-2.35	3300	80	2.35	380	2850	100
FSH-3.85	3300	110	3.85	380	2860	100
FSH-4.0	3300	165	4	380	1450	300
FSH-5.5	3300	230	5.5	380	1450	600
FSH-7.5	3300	280	7.5	380	1450	1000
FSH-11	3300	400	11	380	1450	1000
FSH-15	3300	500	15	380	970	2000

AUTOMATIC WATER RING VACUUM PUMP DRAINAGE SYSTEM

Water Ring Vacuum Pump Station – Automatic Type is to optimize the automatic drainage function of the vacuum gas storage tank on the original water ring pump system, realize automatic drainage, reduce the time of manual drainage, and increase work efficiency.



Model	Max Pressure (Pa)	Max Pumping Speed (m³/h)	Power (Kw)	Voltage (V)	Max Rotation Speed (R/min)	Air Tank Volume (L)
FSH-2.35	3300	80	2.35	380	2850	200
FSH-3.85	3300	110	3.85	380	2860	300